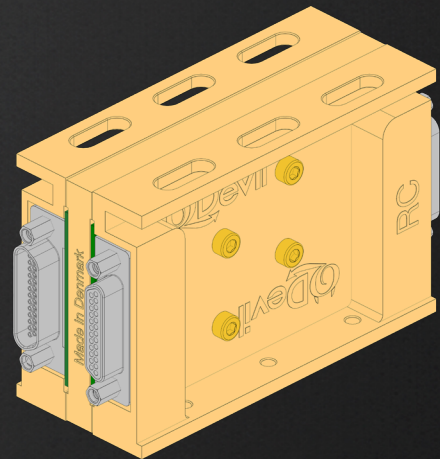
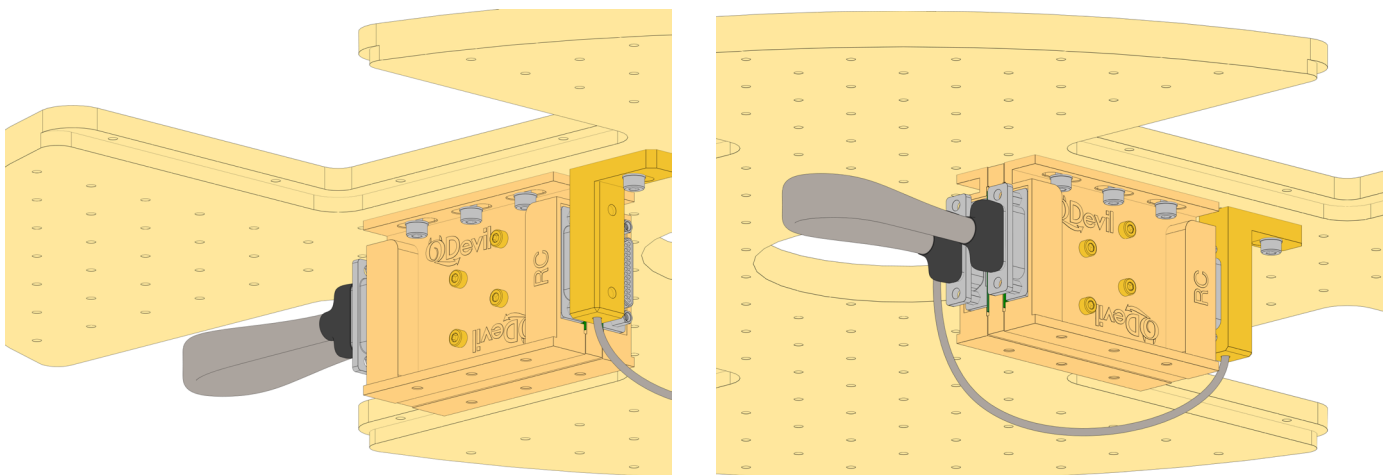


Number of Lines	24
Name	Standard Configuration
Part number	1 x Q015 (1x RC filter + 1x RF filter)
Cable	1x Q014 (6 inch jumper cable)
System	20 mm x 20 mm pitch MXC plate, e.g. Oxford Instruments Proteox
Input	Female 25 pin Micro-D (RC board)
Output	Male 25 pin Mircro-D (RF board)

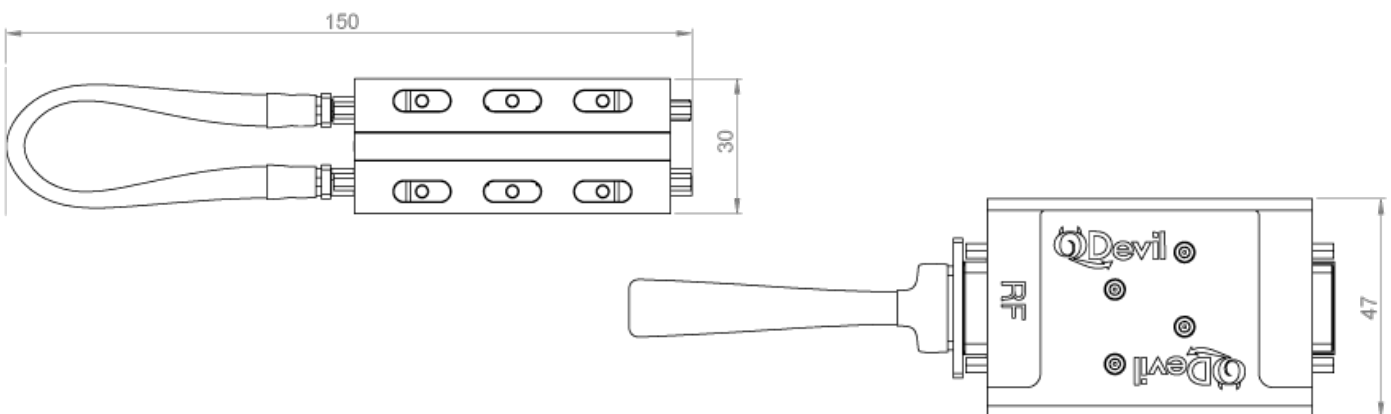


View of filter and cable mounted on MXC plate

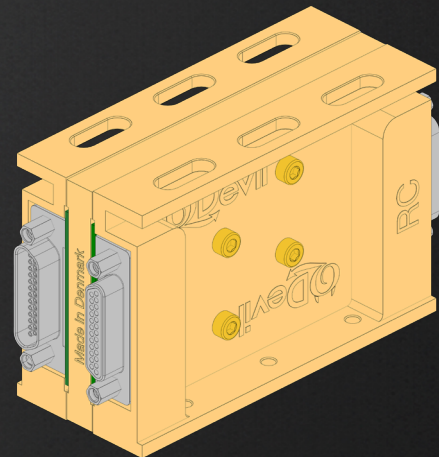


Any QFilter configuration can be mounted on either the upper or lower side of the MXC plate.

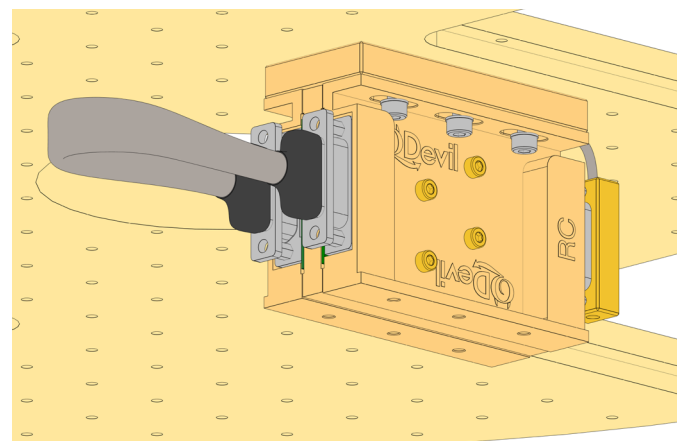
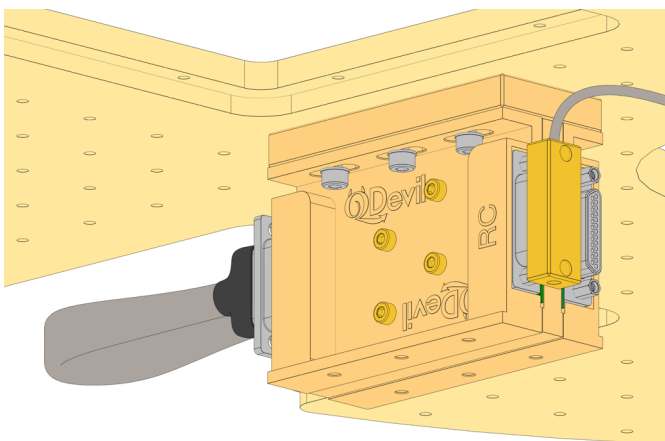
Technical Drawing



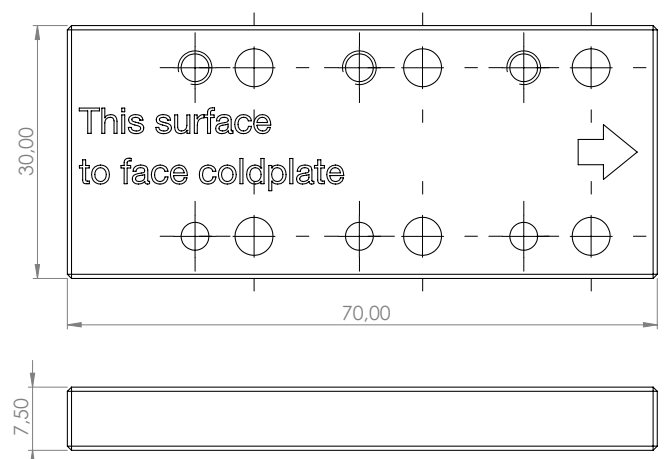
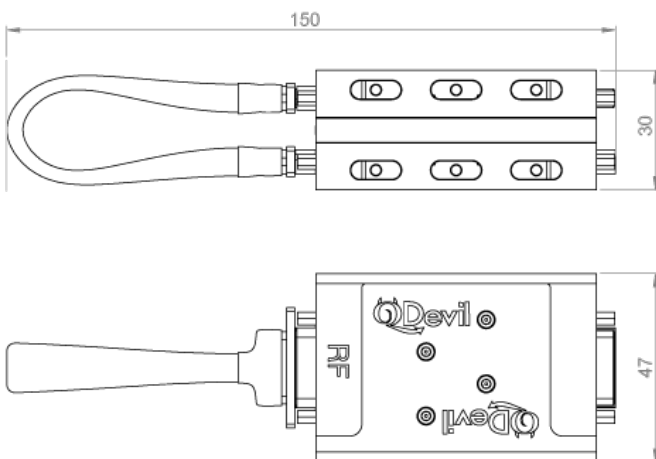
Number of Lines	24
Name	Standard Configuration for Bluefors lines with shielded looms
Part number	Q015 (1x RC filter + 1x RF filter) 1x Q020 (shielded loom spacer)
Cable	1x Q014 (6 inch jumper cable)
System	20 mm x 20 mm pitch MXC plate, e.g. Bluefors LD Systems
Benefit	Extra space to MXC plate to reduce bending of the shielded loom cable.



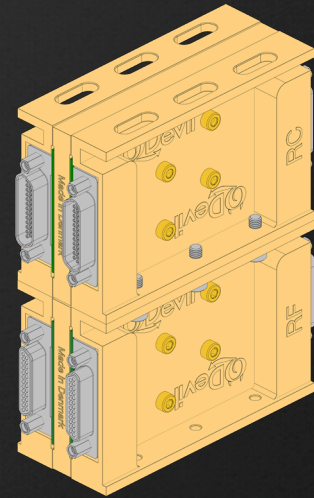
View of filter, cable and spacer mounted on MXC plate



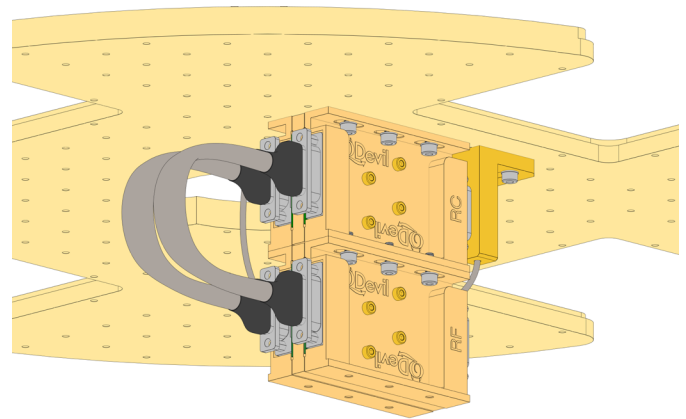
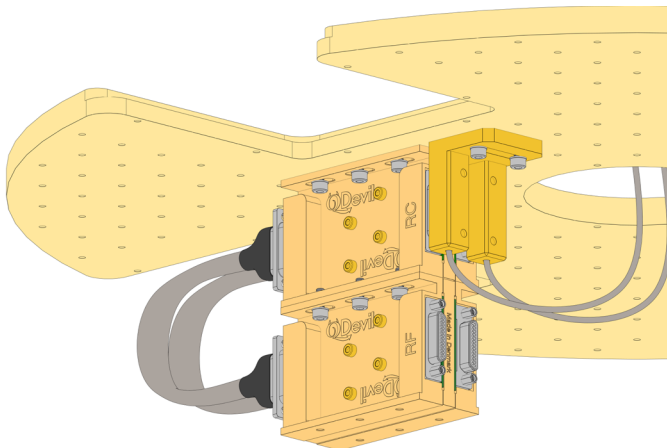
Technical Drawing



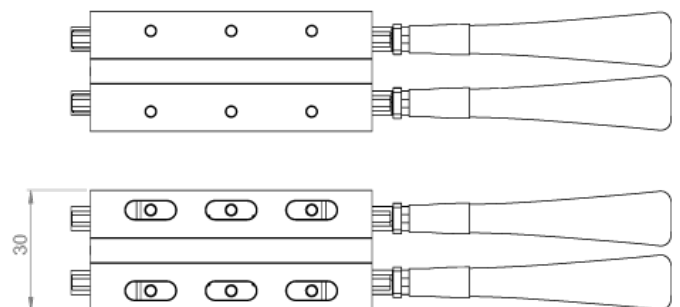
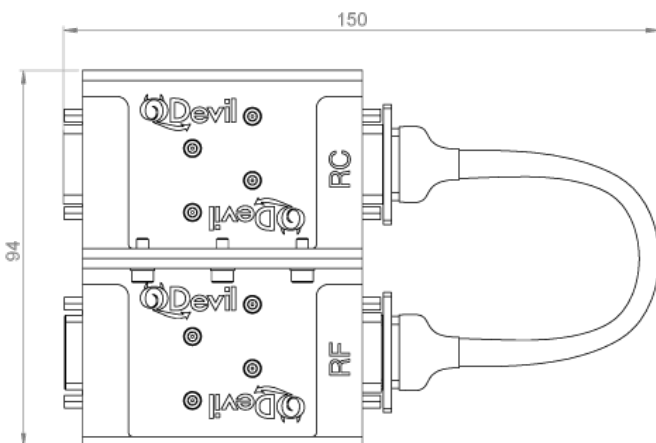
Number of Lines	48
Name	Stacked Configuration
Part numbers	1x Q016 (Dual-RC) + 1x Q017 (Dual-RF)
Cable	2x Q014 (6 inch jumper cable)
Optional to reduce shielded loom cable bending	1x Q020 (mounting spacer)
System	20 mm x 20 mm pitch MXC plate
Benefit	Least amount of space on MXC plate



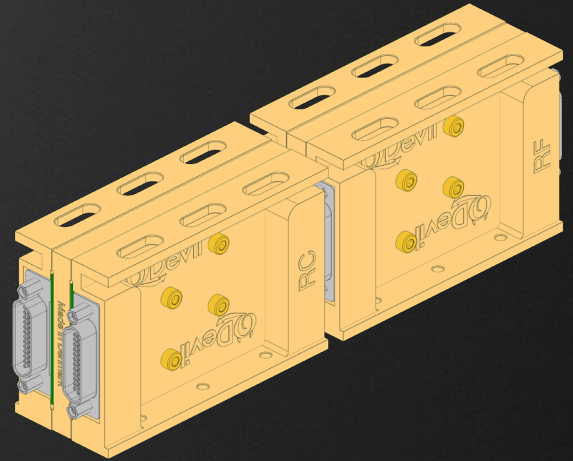
View of filters and cables mounted on MXC plate



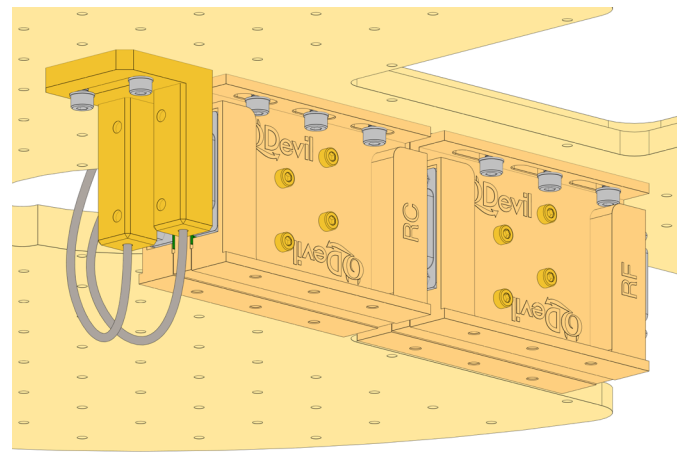
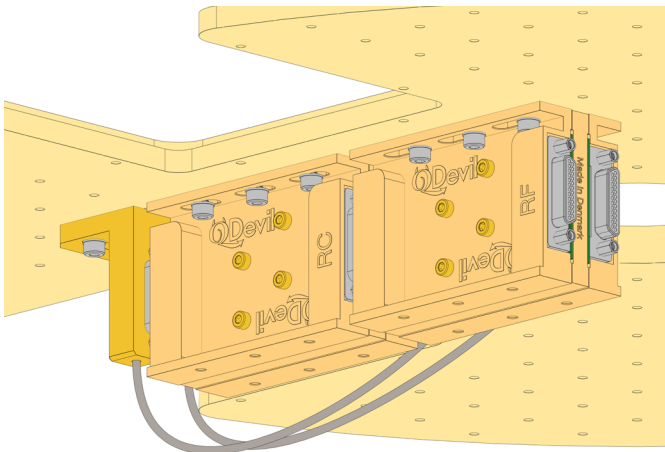
Technical Drawing



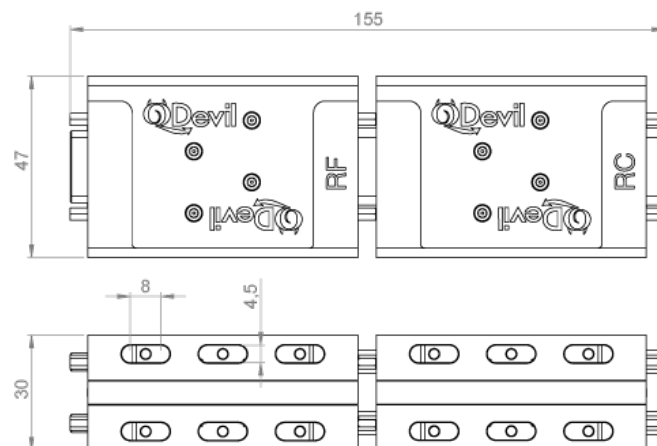
Number of Lines	48
Name	Piggy-Tailed Configuration
Part numbers	1x Q016 (Dual-RC) + 1x Q017 (Dual-RF)
Cable	Not required
Optional to reduce shielded loom cable bending	2x Q020 (mounting spacer)
System	20 mm x 20 mm pitch MXC plate
Benefit	Removes need for jumper cables



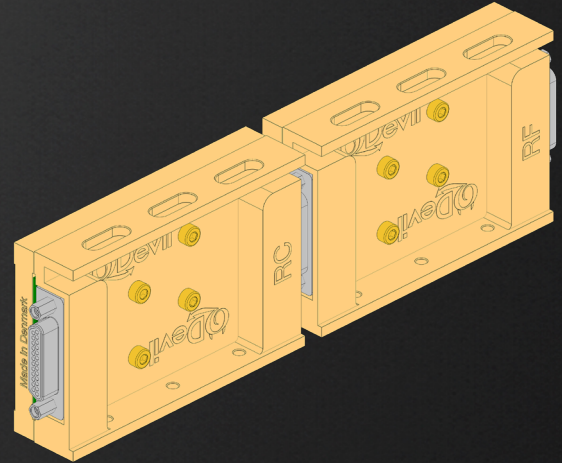
View of filter mounted on MXC plate



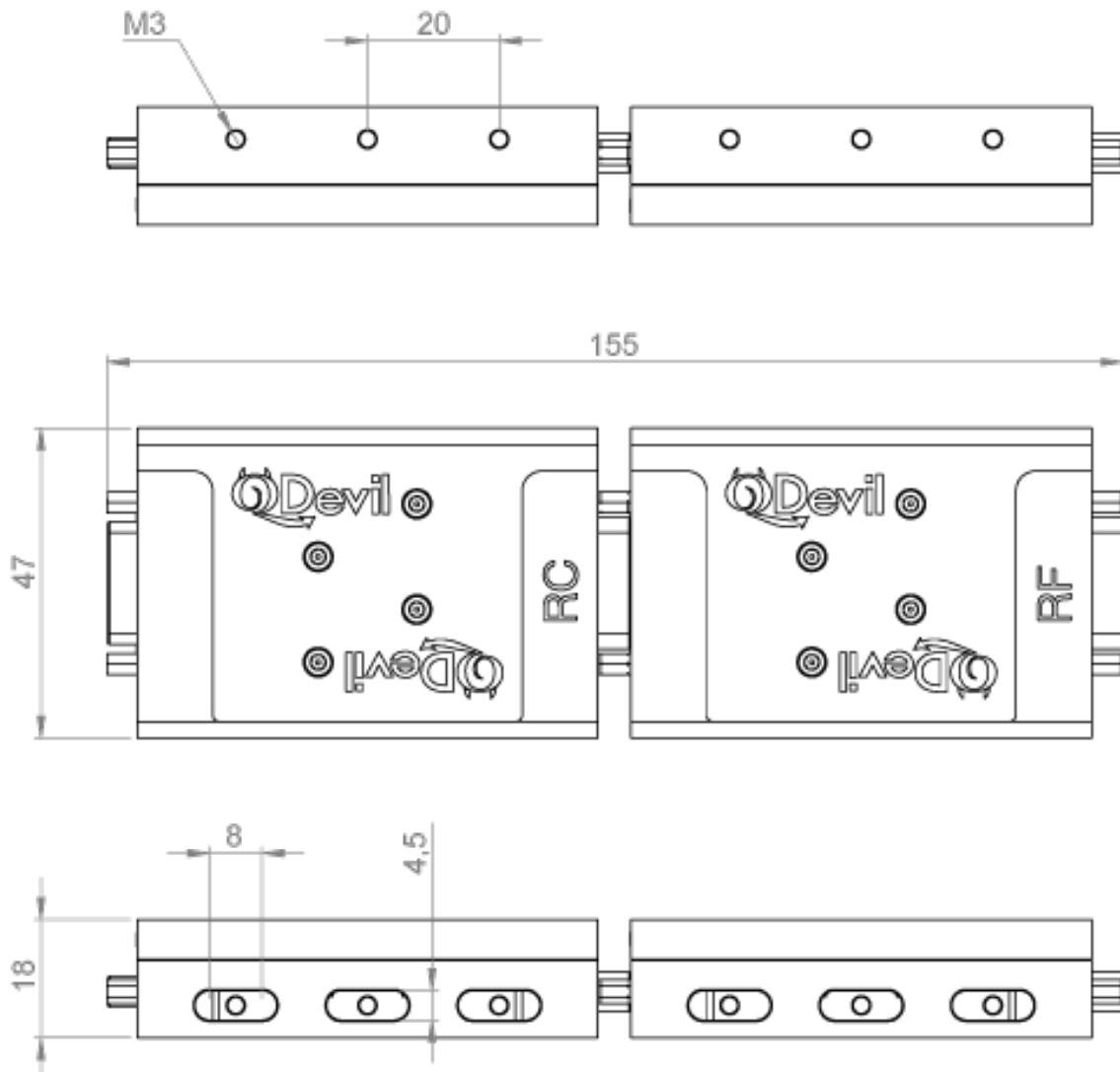
Technical Drawing



Number of Lines	24
Name	Single Filters Piggy-Tailed
Part numbers	1x Q018 (Single-RC) + 1x Q019 (Single-RF)
Cable	Not required
Optional to reduce shielded loom cable bending	2x Q020 (mounting spacer)
System	20 mm x 20 mm pitch cold plate
Benefit	Removes need for jumper cable. Slim design for narrow cryostats.



Technical Drawing



Additional Offerings

Single filters	Q018: Single 24-line RC filter Q019: Single 24-line RF filter
Shorted RC filter resistors	Q015_SL: Shorted lines on Q015 Q016_SL: Shorted lines on Q016 Specify channel and resistor shorted. Short 500 Ω : 130 kHz cutoff Short 1.2 k Ω : 100 kHz cutoff Short both: >1 MHz cutoff
Additional (nonmagnetic) jumper cables for filter input/output	Q014: 6 inches, 25-pin Micro-D male to female Q021: 12 inches, 25-pin Micro-D male to female

If you wish to learn more:

sales@quantum-machines.co

Visit our website and subscribe to our newsletter at:

quantum-machines.co

Download QM Product Brochures

