



QUANTUM MICROWAVE

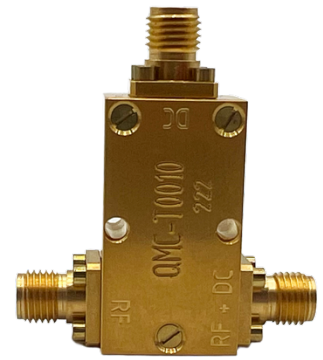
www.QuantumMicrowave.com

## Low Frequency Cryogenic Bias Tee

P/N: QMC-CRYOTEE-0008-FFF

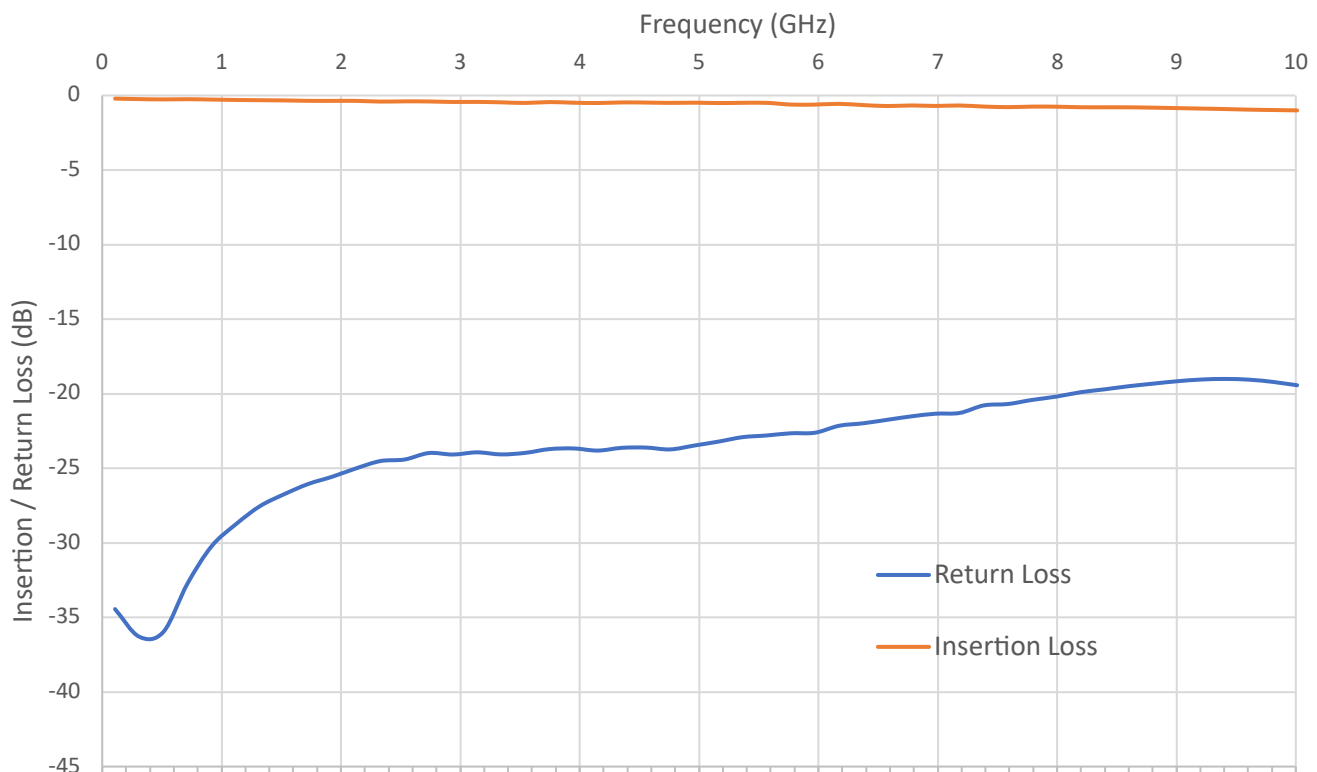
Features:

- RF Path: 650 kHz – 8 GHz
- Low Insertion/Return Loss
- Stackable
- Cryogenic functionality

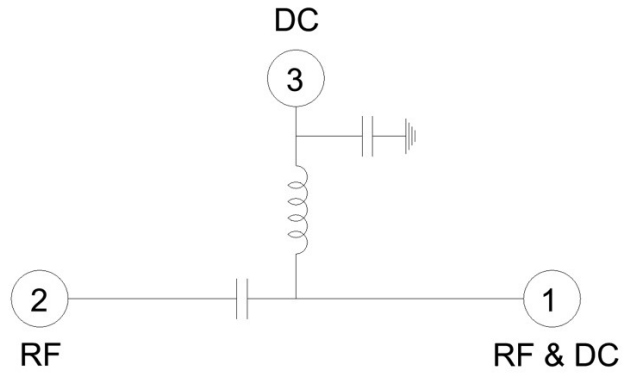


Parameter	Specification	Notes
Frequency Range	DC path: DC – 10 kHz (DC to RF+DC) RF Path: 650 kHz – 8 GHz (RF/RF+DC)	
Insertion Loss	1.0 dB	
Return loss	15 dB	650 kHz to 8 GHz
Connectors In/Out	Port 1, RF+DC: SMA(F) Port 2, RF SMA(F) Port 3, DC: SMA(F)	
Housing Material	OFHC Copper / Gold Plated	
Max Voltage	15 V	
Max Current	200 mA	

### Measured Data (Typical)



## Circuit Schematic



## Outline Drawing

