



QUANTUM MICROWAVE  
www.QuantumMicrowave.com

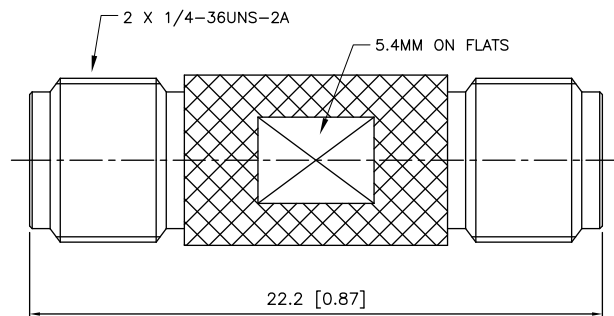
## Cryogenic Non-Magnetic F/F Coax Adapter P/N: QMC-CRYOADP-FSMA

### Specifications:

- Frequency: DC to 18 GHz
- VSWR: 1.20 max
- Female to Female
- Material: Gold Plated Non Magnetic Brass
- Center contact: BeCu
- Dielectric: PTFE Teflon
- Length 0.87 inches (22.2 mm)



This coaxial adapter is designed to maximize performance at low cost.



**Quantum Microwave Components**  
Phone: 857-499-0071 Email: Sales@QuantumMicrowave.com