



www.QuantumMicrowave.com

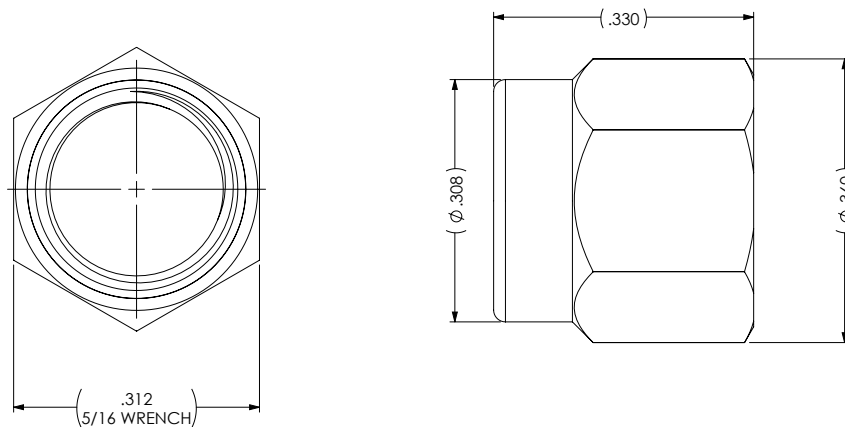
Cryogenic Non-Magnetic SMA and 2.92 Cap P/N: QMC-CRYOCAP

Specifications:

- SMA and 2.92mm Non-magnetic Male shorting cap
- Prevents RF Leakage
- Gold Plated Phosphor Bronze
- Rubber Gasket
- Uses 5/16 Wrench



Outline Drawing:



Quantum Microwave Components
Phone: 857-499-0071 Email: Sales@QuantumMicrowave.com