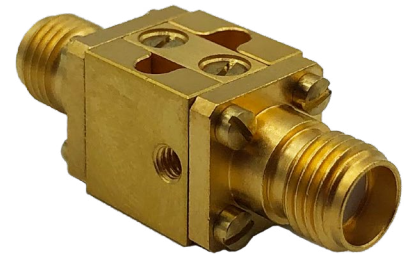




Specifications:

- Thermalized Low Noise Cryogenic Attenuator
- Frequency: DC to 40 GHz
- 6dB attenuation
- Minimal change in attenuation with temperature
- Excellent RF Match
- Non-superconducting microstrip pad
- NiCr on crystal quartz dielectric
- Silver Epoxy bonded
- Machined OFHC block, gold plated
- 2.92mm female connectors, non-magnetic
- Stackable mechanical design
- Comes with a cryogenic 50-ohm termination

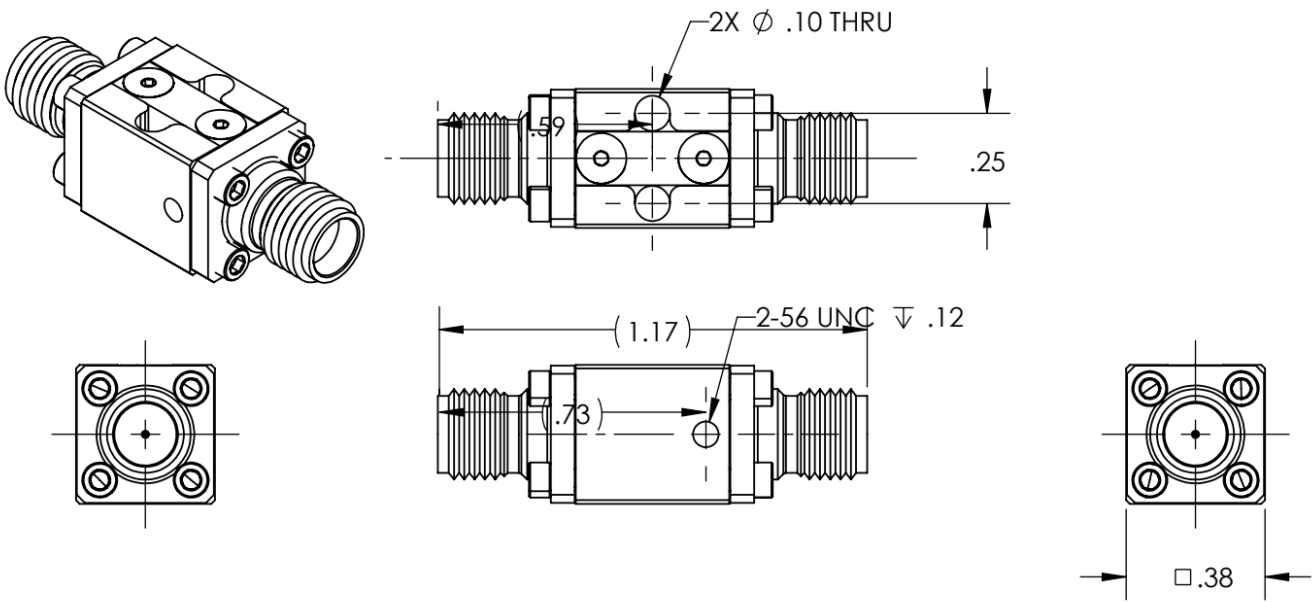
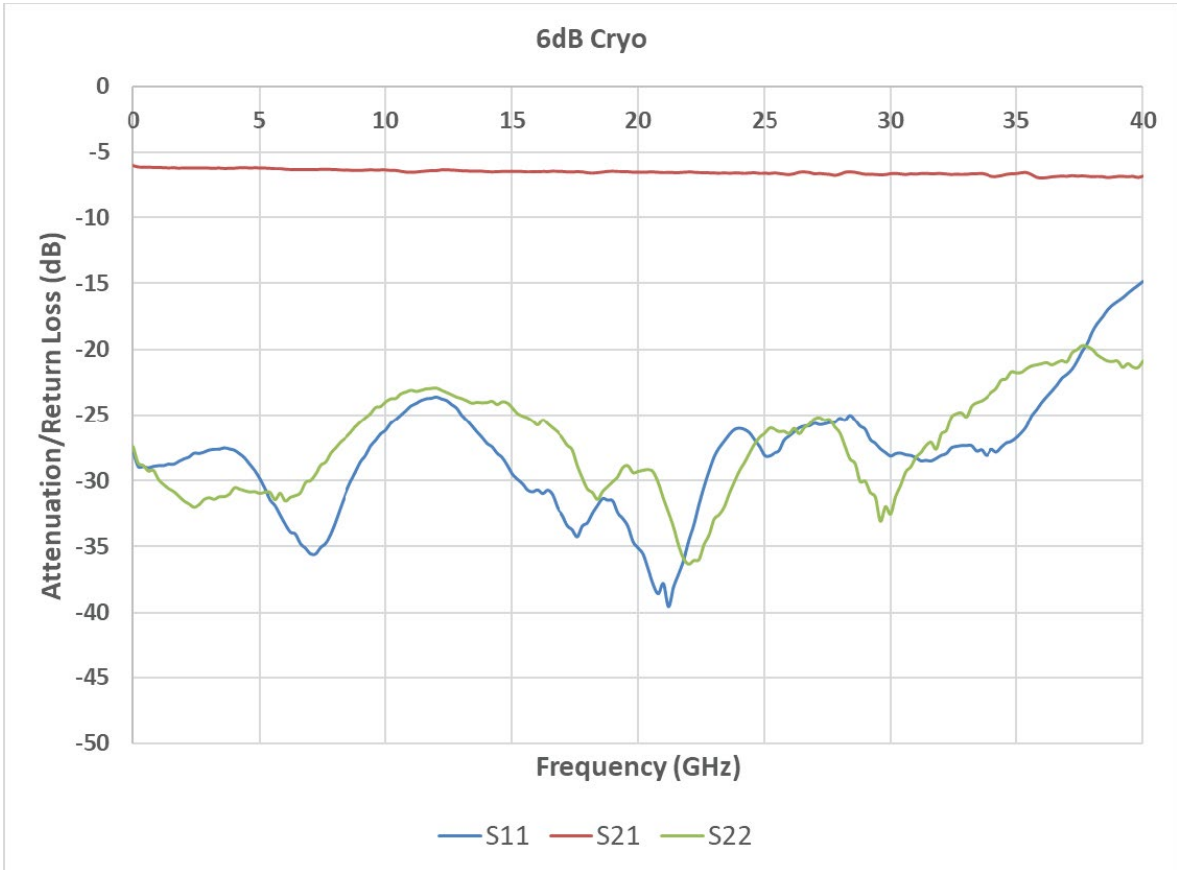


Parameter	Specification	Notes
Frequency Range	DC to 40 GHz	
Insertion Loss variation with frequency	1dB typical	
Return Loss, all models	-15dB typical	See graphs
Connectors	2.92mm f	
Max Power Handling	100 mW	

Made in the USA

✉ Sales@QuantumMicrowave.com

Measured Data (typical)



Made in the USA

✉ Sales@QuantumMicrowave.com