

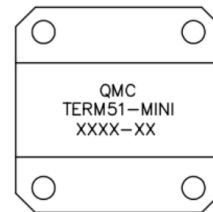
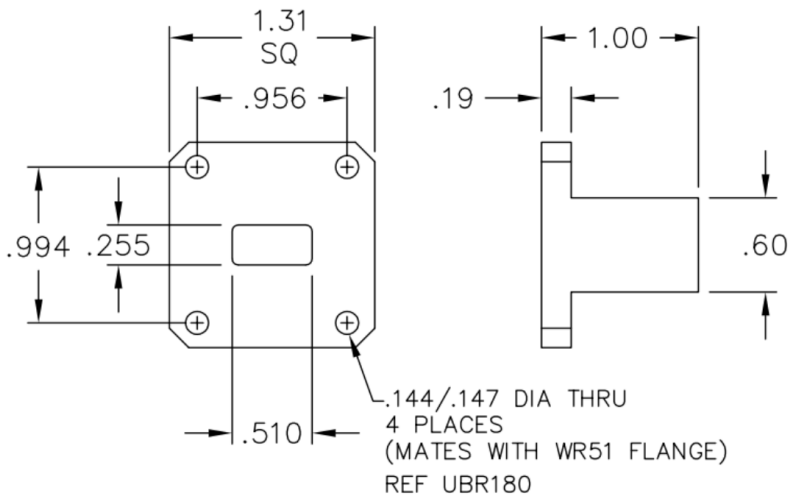


Specifications:

- WR-51 Waveguide Termination
- Frequency: 15 to 22 GHz
- VSWR: 1.20:1 Max
- Power Handling: 2W Average, 2KW PK
- Temperature: -54 to +85C
- Waveguide: WR-51
- Material: 6061 Alum Alloy
- Finish: Clear Chem Film (Rohs)
- Comes with a KIT of Waveguide Screws



Our waveguide terminations are high quality, gold plated and are priced affordably.



SPECIFICATIONS

FREQUENCY	15 – 22 GHZ
VSWR	1.20:1 MAX
RF POWER	2W AVG 2KW PK
OP TEMP	-54 TO +85°c

Made in the USA

✉ Sales@QuantumMicrowave.com