

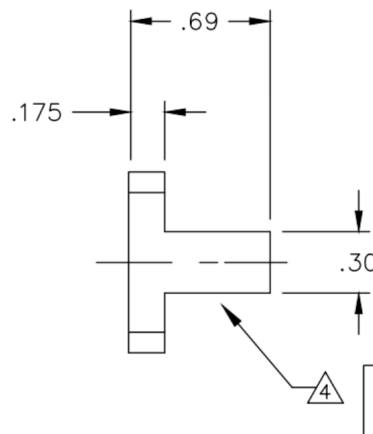
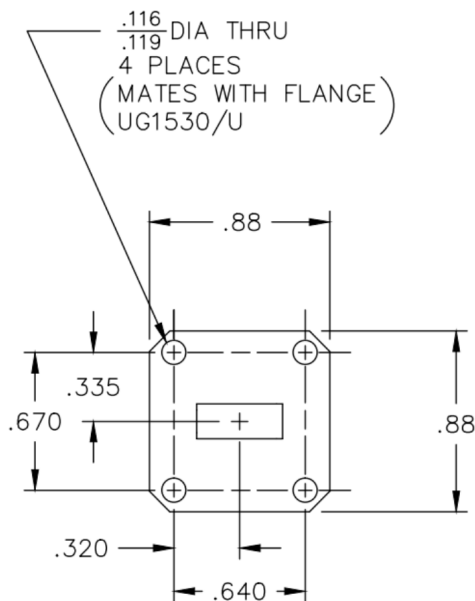


Specifications:

- WR-34 Waveguide Termination
- Frequency: 22 to 33 GHz
- VSWR: 1.25:1 Max
- Power Handling: 0.5W
- Temperature: -54 to +85C
- Waveguide: WR-34
- Material: Alum alloy
- Finish: Clear Chem Film (Rohs)



Our waveguide terminations are high quality, gold plated and are priced affordably.



SPECIFICATIONS

FREQUENCY	22.0 – 33.0 GHz
AVERAGE POWER	0.5 WATT
VSWR	1.25:1 MAX.

QMC  
TERM34-MINI  
XXXX-XX

Made in the USA

✉ Sales@QuantumMicrowave.com