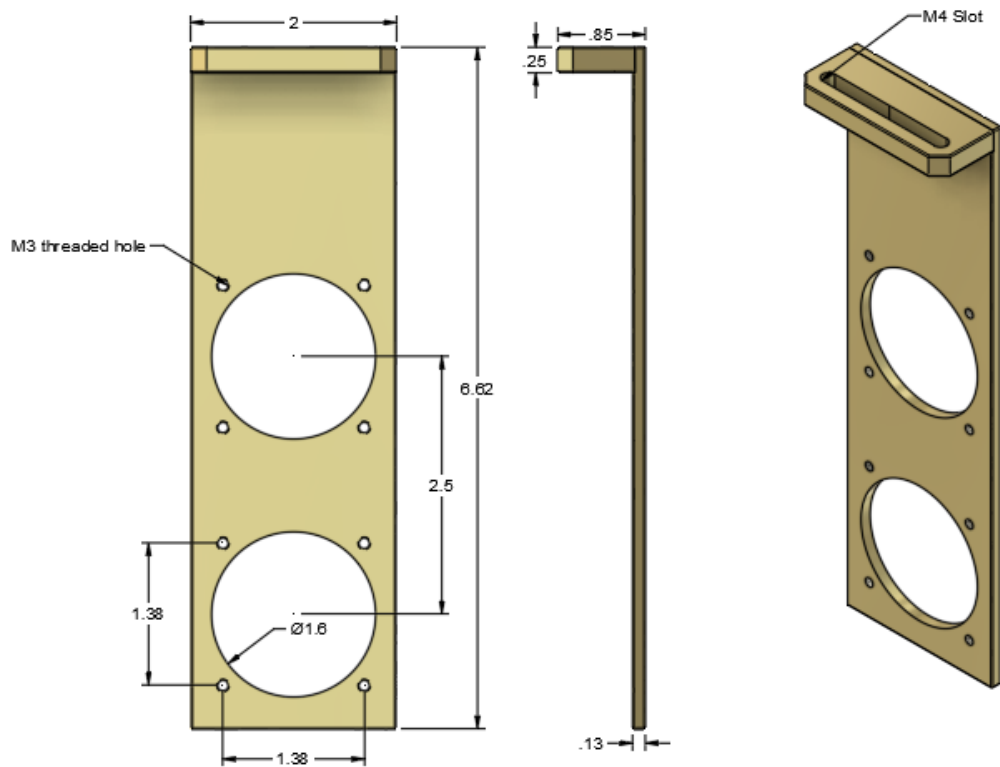




## QMC-CRYOBRD-2RDSW

### 2 Position Radial RF Switch Mounting Breadboard



#### Specifications:

- Mounting position for 2x Radial RF Switches (Model #s R583423141 and R573423600)
- Designed to mount to mixing chamber plate with M4 mounting screws
- Housing OFHC copper
- Durable 30 microinches gold plating finish.