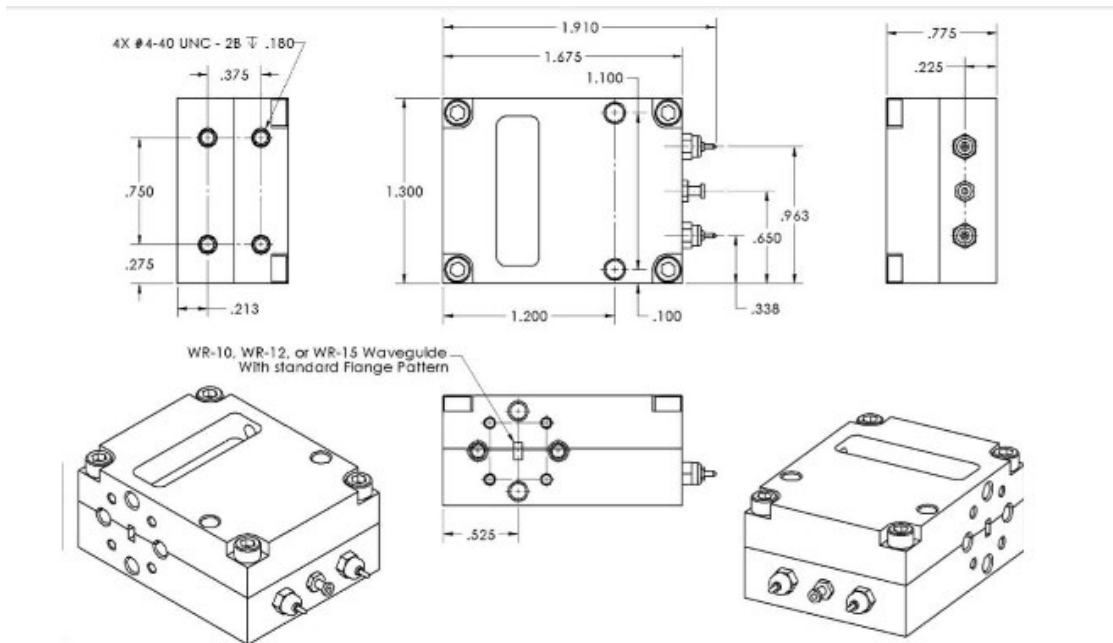




Specifications:

- WR-10 GaN Power Amplifier
- Frequency: 70 to 110 GHz
- Gain: 33 dB typical
- P1dB: +17 typical
- PSAT: +21 dBm typical
- DC: +14V @ 160 mA typical
- Waveguide: WR-10, UG-387/U-M
- Notes: Comes with Removable Heat Sink



Made in the USA

✉ Sales@QuantumMicrowave.com

<b>Input Frequency (GHz)</b>	<b>Gain (dB)</b>	<b>P1 dB (dBm)</b>	<b>P Sat (dBm)</b>
75.00	33.3	16.3	20.0
77.50	38.5		21.0
80.00	41.1	16.1	21.4
82.50	40.0		21.0
85.00	40.0	16.0	21.6
87.50	40.1		21.0
90.00	39.6	15.5	21.2
92.50	38.0		20.4
95.00	36.0	14.3	20.2
97.50	35.5		19.6
100.00	36.7	13.3	19.6
102.50	36.4		19.6
105.00	32.9	12.2	18.1
107.50	38.0		15.0
110.00	24.7	6.5	11.3