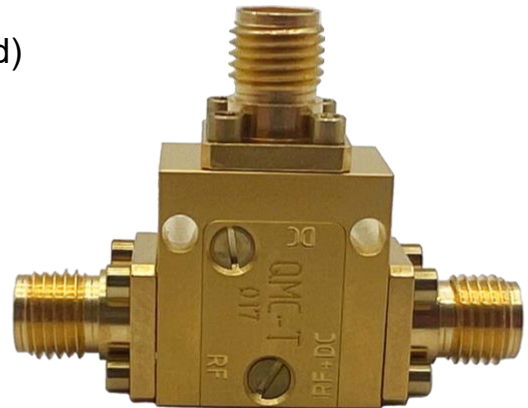
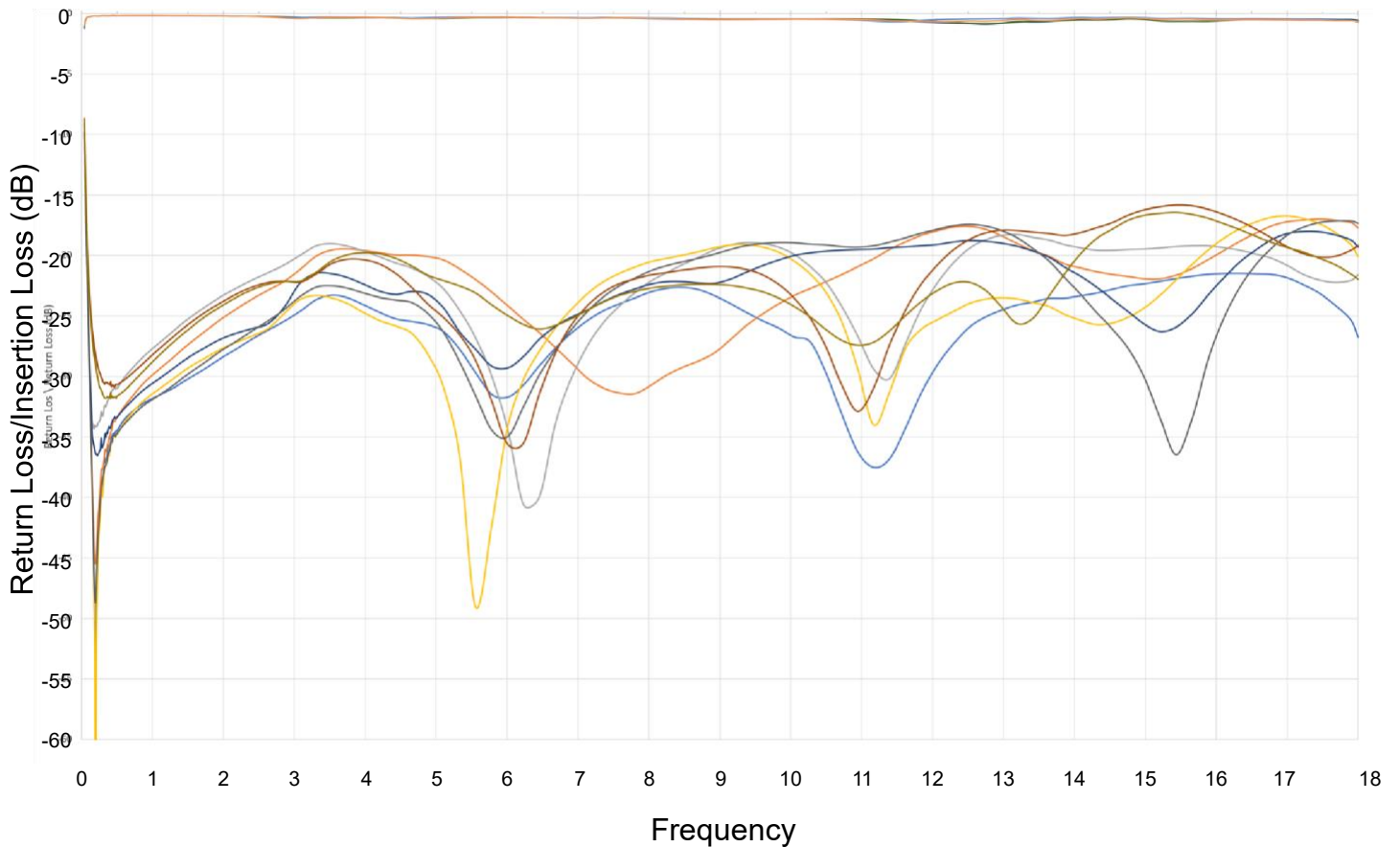


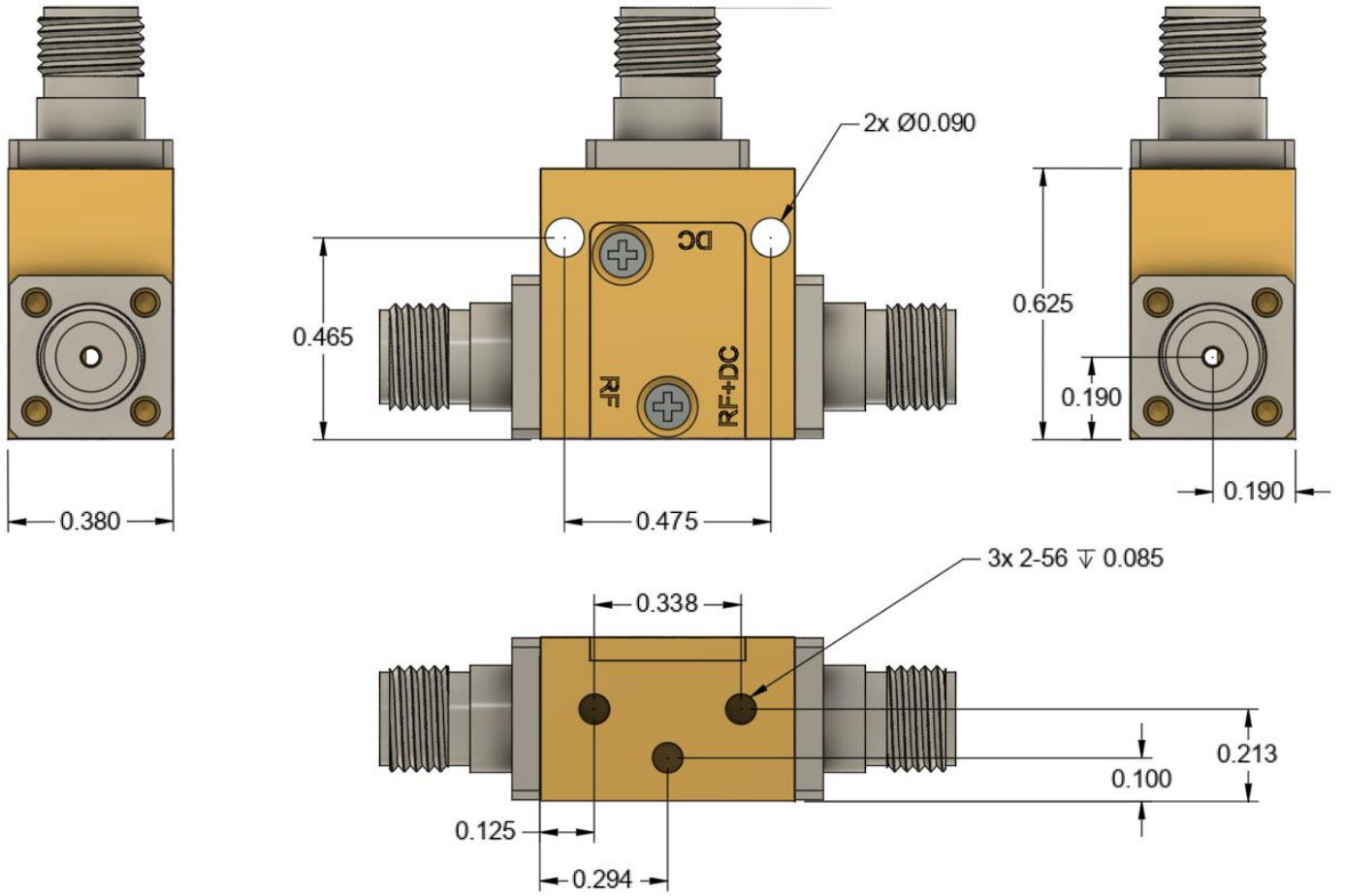


- Cryogenic Bias Tee
- Frequency: 0.2 to 18 GHz
- Insertion Loss: 0.25 dB from 0.2 to 12 GHz (Cold)
- Insertion Loss: 1 dB from 0.2 to 18 GHz
- Return Loss: -20 dB from 0.2 to 12 GHz
- Return Loss: -15 dB from 0.2 to 18 GHz
- DC Bias: DC - 600 kHz
- Connectors In/Out: SMA
- RF (F) DC (F) and RF+DC (F)
- Housing Material: OFHC Copper
- Finish: Gold Plated
- Max Voltage: 35 V
- Max Current: 250 mA
- Magnetic Field is less than 0.1 Gauss



Measured Data (Typical):





Made in the USA  
Sales@QuantumMicrowave.com