

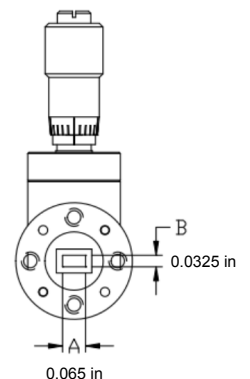
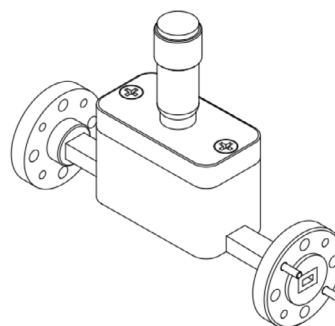
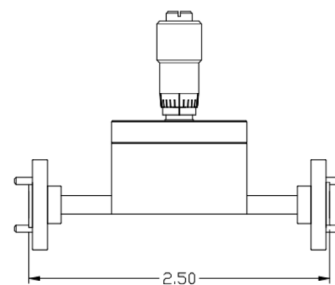
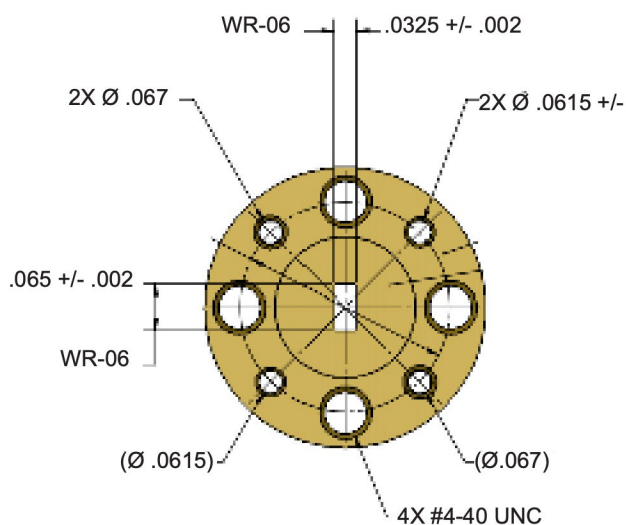


Specifications:

- WR-06 Level Set Attenuator
- Frequency: 110 to 170 GHz
- Micrometer Attenuation: 0 to 30 dB
- Insertion Loss: 1.5 dB typical
- Return Loss: 16 dB typical
- Power max: 300 mW
- Flange Type: UG-387/U-M
- Material: OFHC Waveguide & Brass Flange
- Finish: Gold Plated



QMC-LSA06-R000 is a D Band Level Set Attenuator and covers a frequency range of 110 to 170 GHz. This attenuator is equipped with a micrometer dial. This attenuator is ideal for a waveguide system where broadband level setting is required.



Made in the USA

✉ Sales@QuantumMicrowave.com