



## QMC-JPABRACKET-01

Cryogenic Bracket Assembly for Raytheon/BBN 5-7GHz Wide Bandwidth Josephson Parametric Amplifier (JPA) QMC #BBN-PS2-JPA-DEVICE-QEC



### Specifications:

- Material: OFHC copper
- Hard Gold plating with thickness of 30 microinches.
- Cutouts in bracket for routing necessary 0.086" coaxial cables
- Hole patterns in bracket for mounting necessary QMC bias-Tee QMC-CRYOTEE-0.218SMA-FFF, QMC LC/Infrared Eccosorb filter combination QMC-CLCE-160AFF, Low Noise Factory circulator LNF-CIC4\_8A, and Raytheon/BBN JPA #BBN-PS2-JPA-DEVICE-QEC.

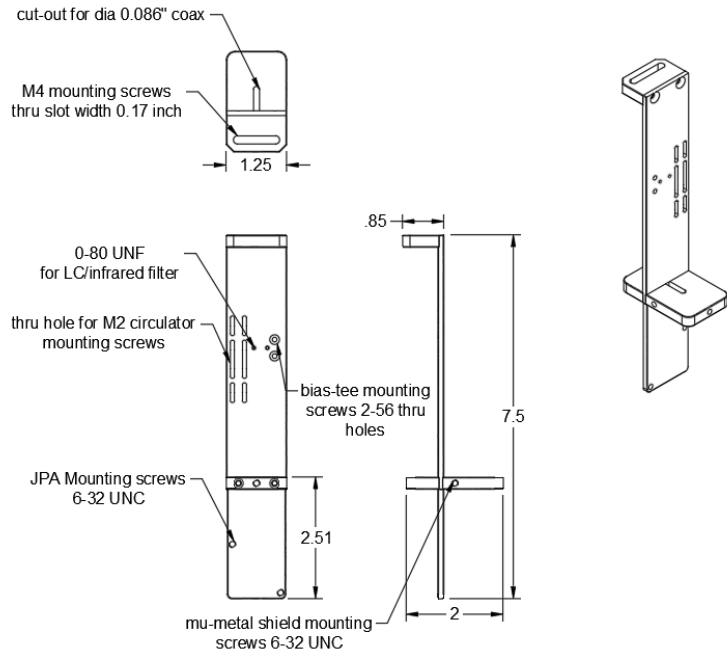


Figure 1. Bracket dimensional drawing