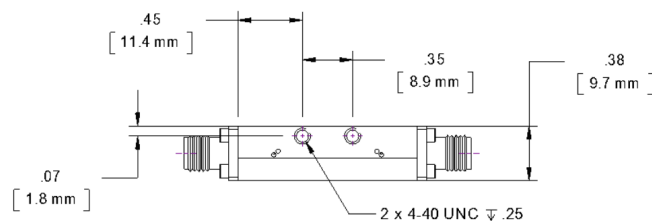
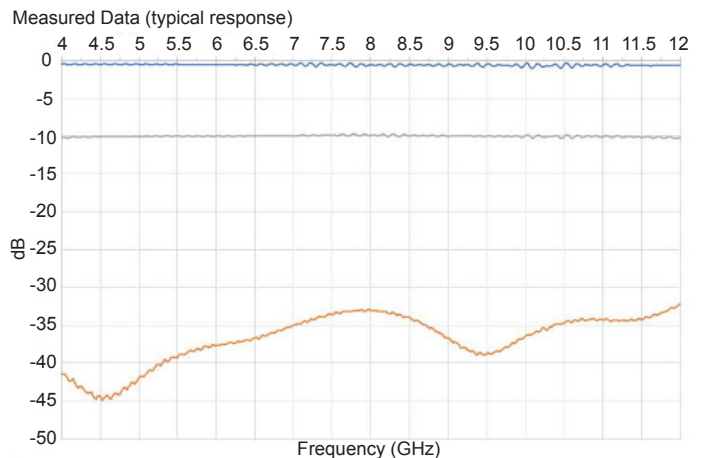
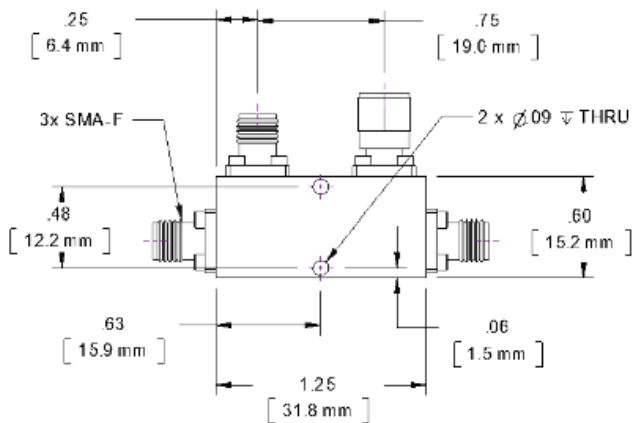
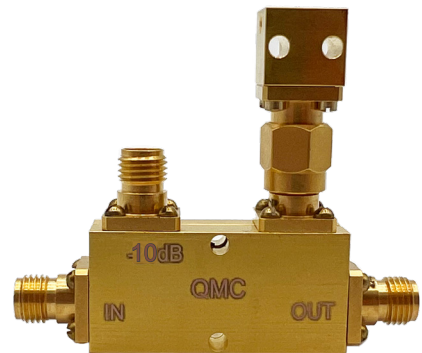




Specifications:

- Cryogenic Directional Coupler
- Non-Magnetic
- Frequency: 4 to 12 GHz
- Coupling Value: 10 dB
- Tolerance: 1.0 dB max
- Directivity: 15 dB min
- Insertion Loss: 0.5 dB max
- *Excludes loss due to coupling factor
- Power: 3W max
- Machined OFHC block, gold plated
- SMA connectors
- Stackable mechanical design
- Operation Temp: 10 mK
- Note: Comes with a cryogenic 50ohm non-magnetic termination



Made in the USA

✉ Sales@QuantumMicrowave.com