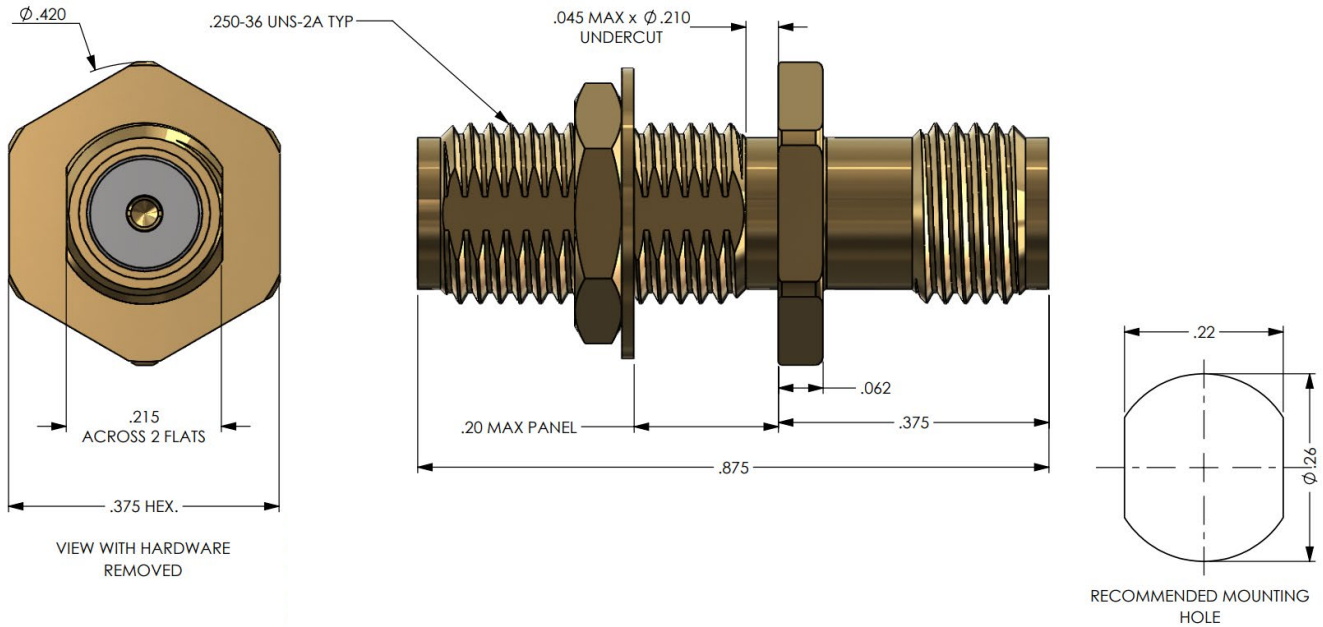




Specifications:

- Non-Magnetic Cryogenic Bulkhead Connector
- Threads in to the cold plate
- Bulkhead SMA Female (Longer) to SMA Female (Shorter)
- Frequency Range: DC-18 GHz
- Nominal Impedance: 50 OHMS
- VSWR: 1.20:1 Max (DC-18GHz)
- Body Material: Phosphor Bronze
- Inner Pin Contact: Beryllium Copper



Made in the USA

✉ Sales@QuantumMicrowave.com