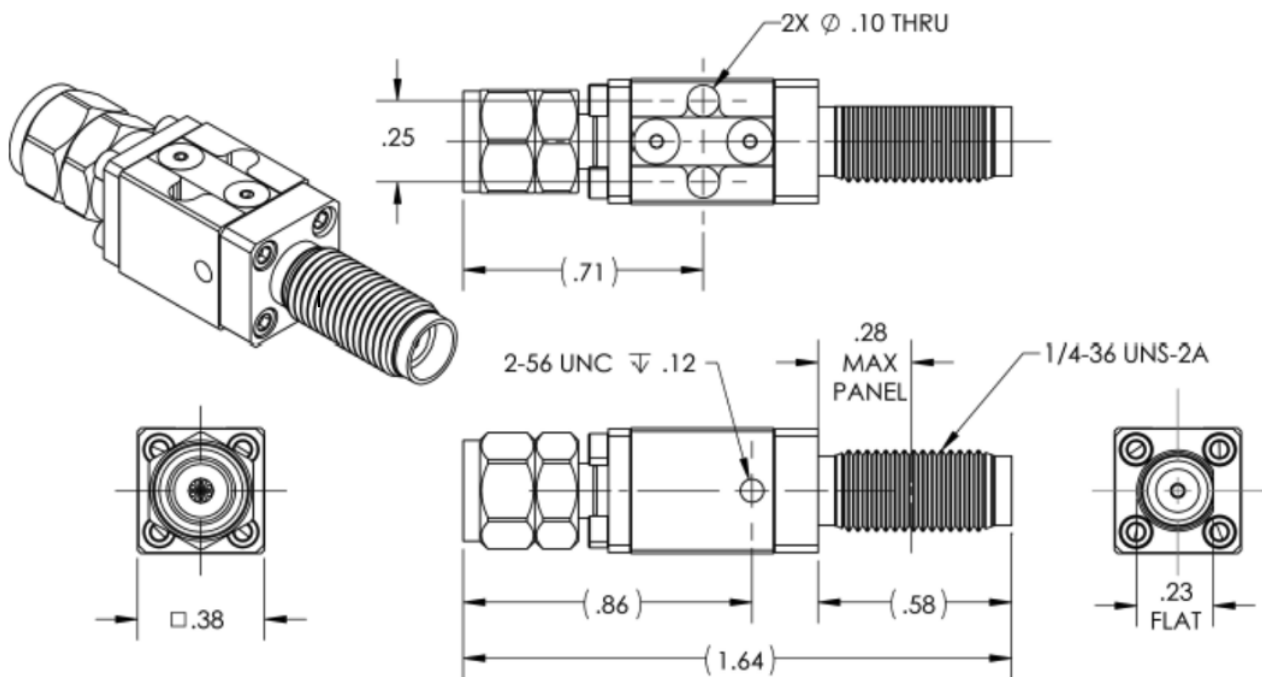




Specifications:

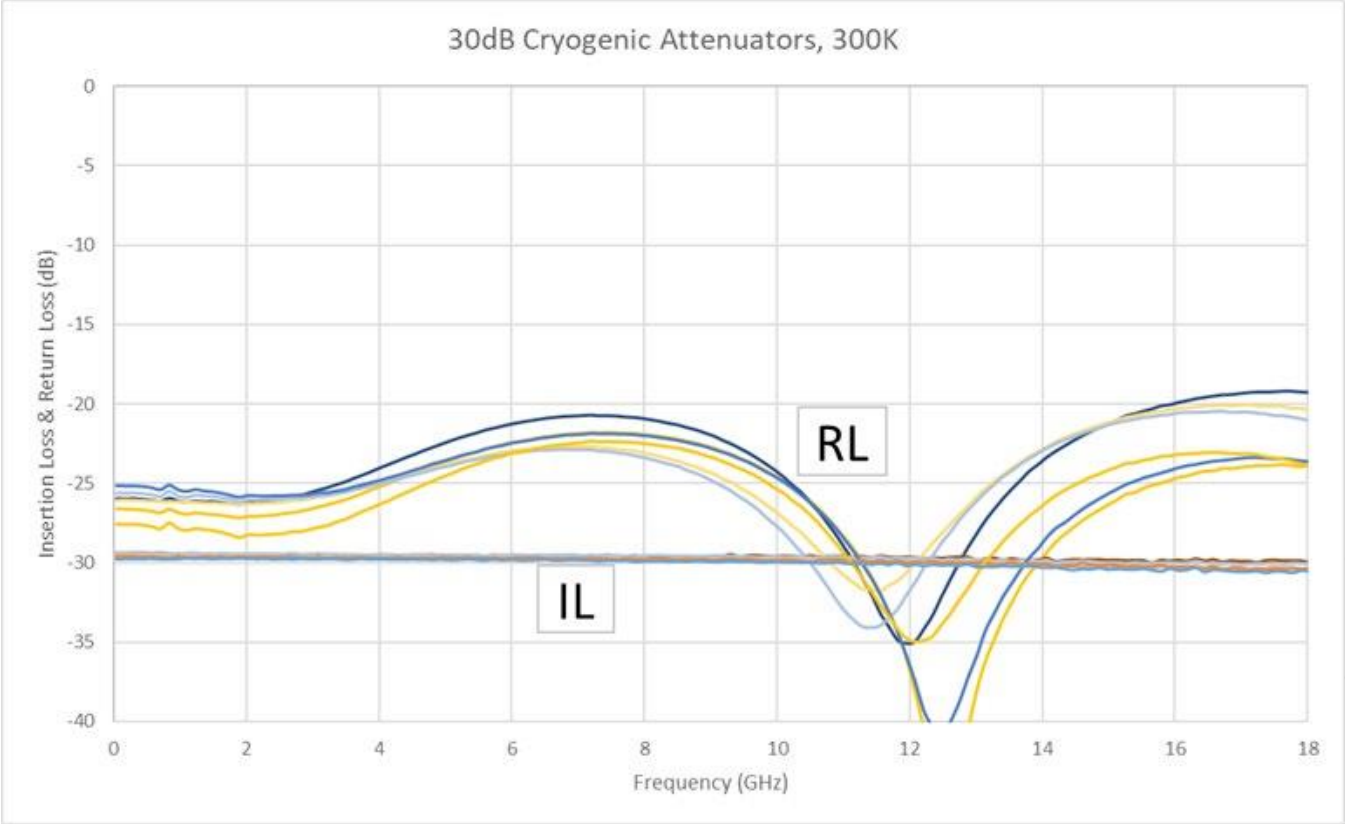
- Crystalline Quartz Cryogenic Attenuator
- 100% Non-Magnetic
- Capable of operation at 10mK
- Attenuation: 30 dB
- Frequency: DC to 18 GHz
- Return Loss: -23 dB
- Max Power: 100mW
- Connectors: SMA Male and SMA F Bulkhead
- NiCr on thermally conductive dielectric
- Non-superconducting microstrip pad
- Silver Epoxy bonded
- Stackable mechanical design
- Housing: OFHC Copper
- Finish: Gold Plated



Made in the USA

✉ Sales@QuantumMicrowave.com

Measured Data (typical)



Magnetism Test information:

- Before the measurement, the devices are put in proximity (below 1cm) to a magnet for about 5 seconds, to induce magnetization of eventual magnetic material.
- The magnetic field is measured over the surface of the device and along different axis. The distance between probe and device is below 1cm. The values reported in the picture is the maximum detected.
- All the measurements are in Gauss [Gs]
- The measurements have been done with a TD8620 magnetometer. Sensitivity is 0.1 Gs.
- The values are reported on the arrow corresponding to the direction of the magnetic field.

PN: QMC-CRYOATT-30BLK

Description: 30 dB Cryogenic Non-Magnetic Attenuator

Comments: The field of the device is below the 0.1Gs

