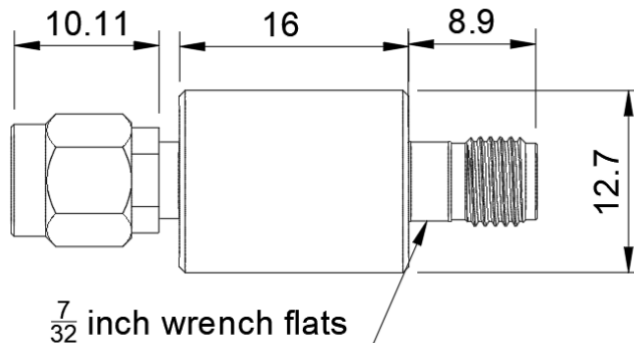
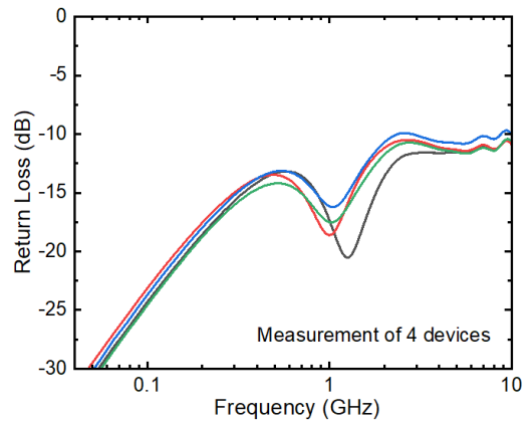
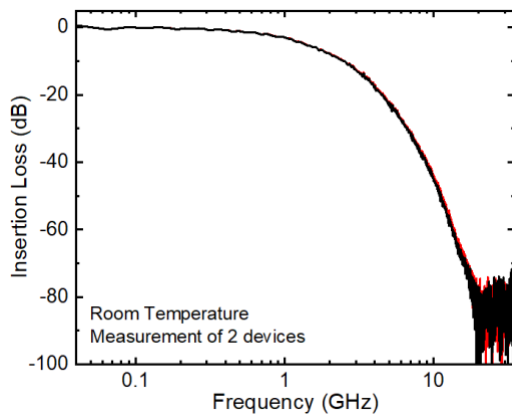




QMC-CRYOIRF-001MF-S
QuantumMicrowave.com

Specifications:

- Low Cut-Off Frequency Infrared Filter
- 3 dB bandwidth: 700 MHz (typical)
- Stopband: >45 dB loss @ 10 GHz
- Passband Return loss: -12 dB typical
- Based on magnetically loaded dielectric absorber
- Eccosorb CR 124
- Impedance: 50 Ω
- Capable of operation at 10 mK
- Connectors: SMA F short on one side, M on the other
- Housing Gold Plated OFHC Copper
- Length: 1.38 inches



Made in the USA

✉ Sales@QuantumMicrowave.com