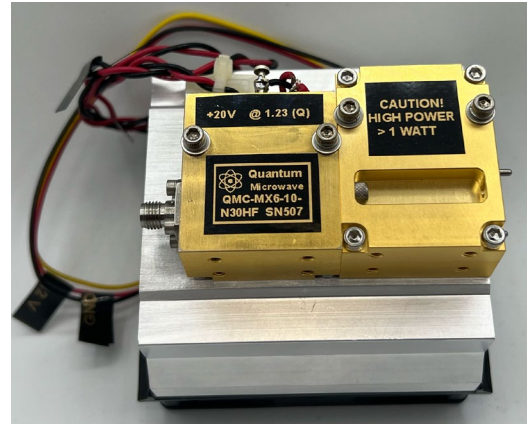




Specifications:

- W-Band Active X6 Multiplier
- GaAs Multiplier plus GaN Amplifier
- Fin: 14.1 to 16.7, SMA Female
- Input Power +8 dBm typical, +10 dBm max
- Fout: 87 to 97 GHz
- Pout: +30 dBm (1W) typical
- DC 20V at 1.3A
- Harmonics: -20 dBc typical
- Waveguide out: WR-10, UG-387/U
- With a Removable Heat Sink and Fan
- Heat Sink Dimensions: 3.2 x 3.2 in
- Export Classification: 3A001

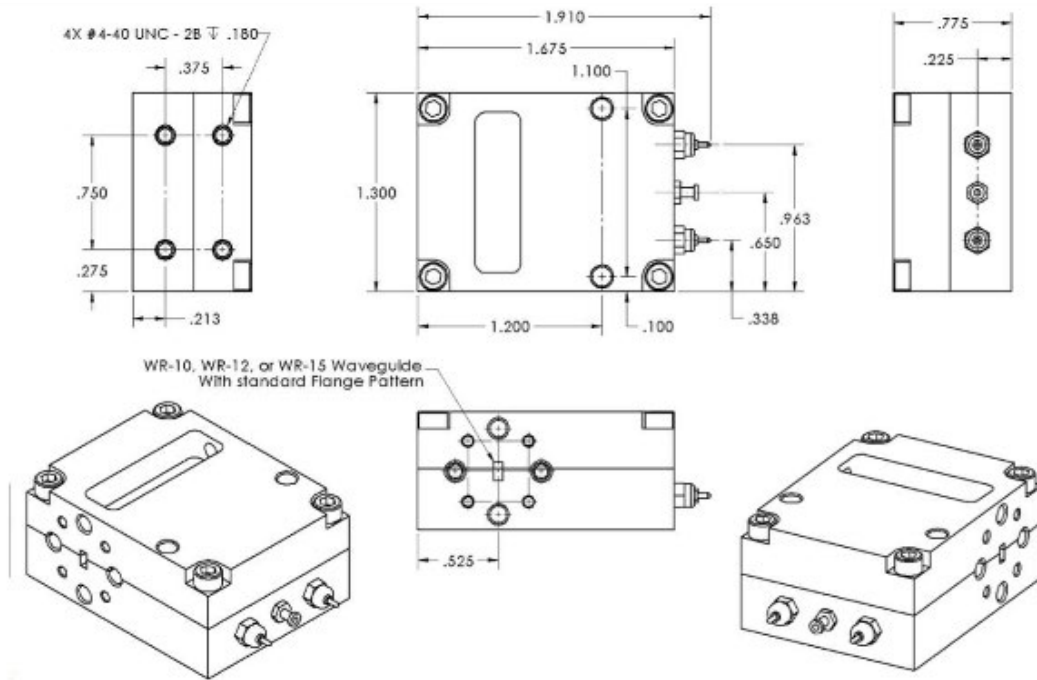


Input Frequency	Input Power	Output Frequency	Output Power
(GHz)	(dBm)	(GHz)	(dBm)
14.167	10	85	25.1
14.333	10	86	27.3
14.500	10	87	28.5
14.667	10	88	29.1
14.833	10	89	30.2
15.000	10	90	30.6
15.167	10	91	30.6
15.333	10	92	30.7
15.500	10	93	30.8
15.667	10	94	30.4
15.833	10	95	30.1
16.000	10	96	29.5
16.167	10	97	28.6
16.333	10	98	26.3
16.500	10	99	26.1
16.667	10	100	25.6

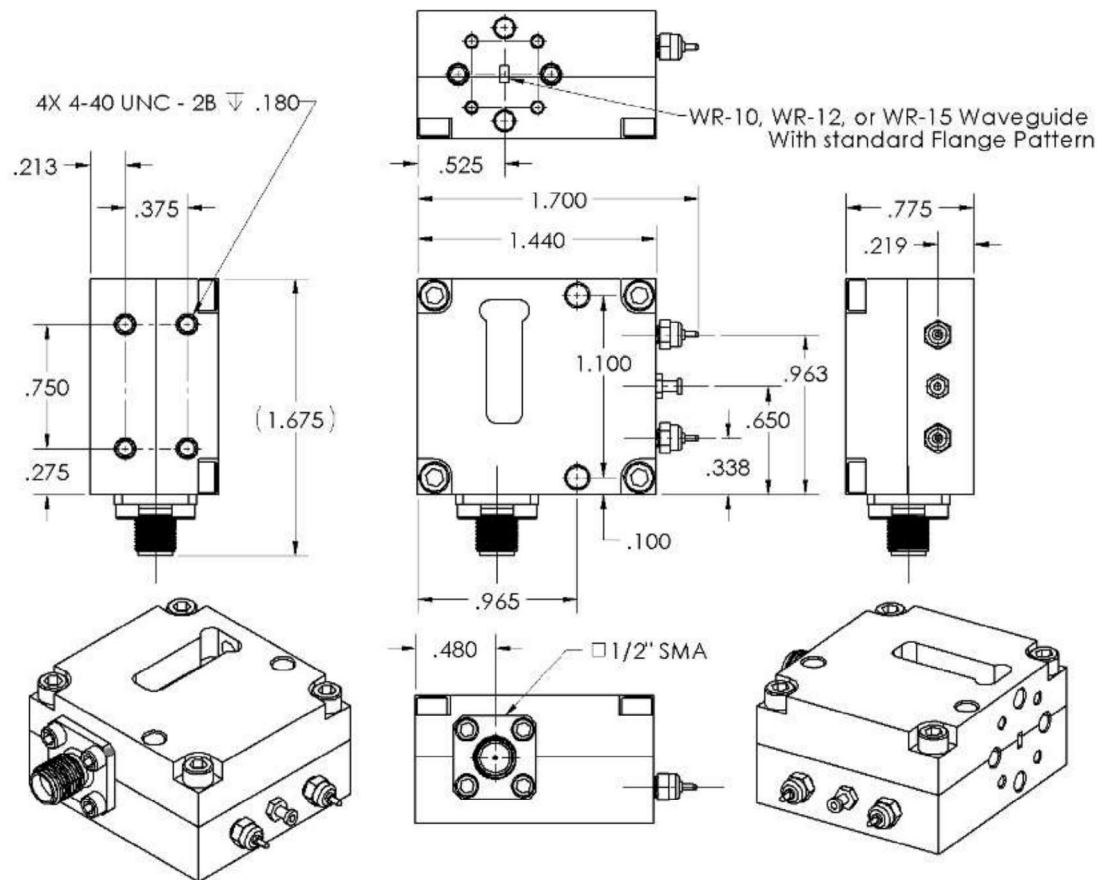
Made in the USA

✉ Sales@QuantumMicrowave.com

Amplifier Outline Drawing:



Multiplier Outline Drawing:



Made in the USA

✉ Sales@QuantumMicrowave.com