



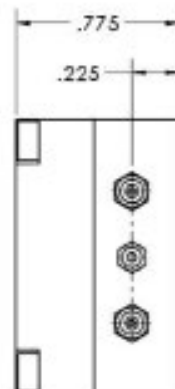
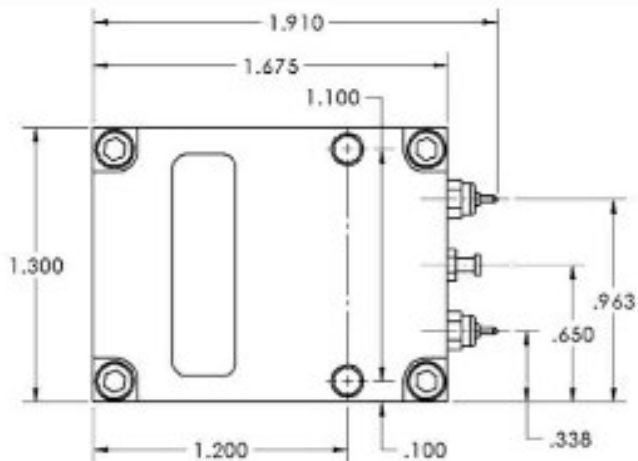
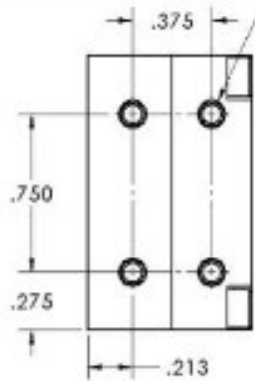
Specifications:

- WR-10 GaN Power Amplifier
- Frequency: 90 to 99 GHz
- Waveguide In/Out WR-10, UG-387/U-M
- Gain: 30 dB typical
- P1dB: 27 dBm typical
- PSAT: 30 dBm typical
- DC: 20V at 660 MA typical
- Notes: Comes with Removable Heat Sink & Fan

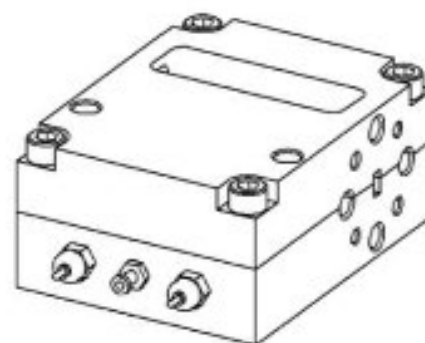
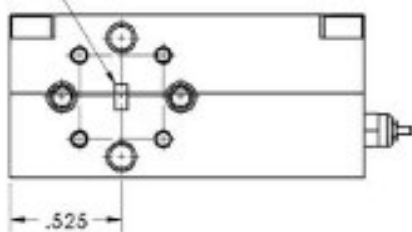
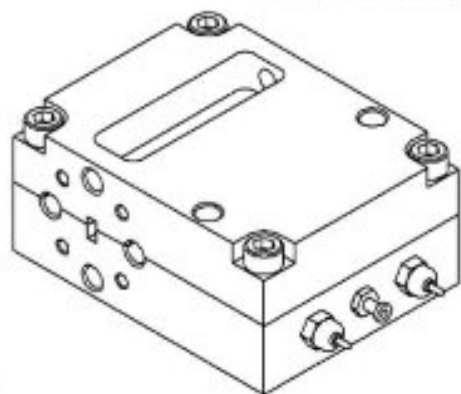


Frequency (GHz)	Linear Gain (dB)	P1dB (dBm)	PSAT (dBm)
88.00	30.0	22.8	27.8
89.00	34.3	25.9	30.5
90.00	38.1	27.3	31.8
91.00	42.5	27.7	32.0
92.00	41.4	28.0	31.9
93.00	37.1	27.6	31.1
94.00	35.7	26.6	30.1
95.00	36.0	23.8	28.5
96.00	35.8	20.7	26.2
97.00	33.3	19.8	25.3
98.00	31.0	19.1	24.7
99.00	28.6	18.5	24.1
100.00	26.4	18.4	23.9

4X #4-40 UNC - 2B ∇ .180



WR-10, WR-12, or WR-15 Waveguide
With standard Flange Pattern



Made in the USA

✉ Sales@QuantumMicrowave.com