



Specifications:

- WR-10 GaN Power Amplifier
- Frequency: 90 to 99 GHz
- Waveguide In/Out WR-10, UG-387/U-M
- Gain: 13 dB typical
- P1dB: 27 dBm typical
- PSAT: 30 dBm typical
- DC: 20V at 420 MA typical
- Notes: Comes with Removable Heat Sink & Fan

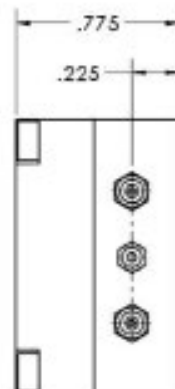
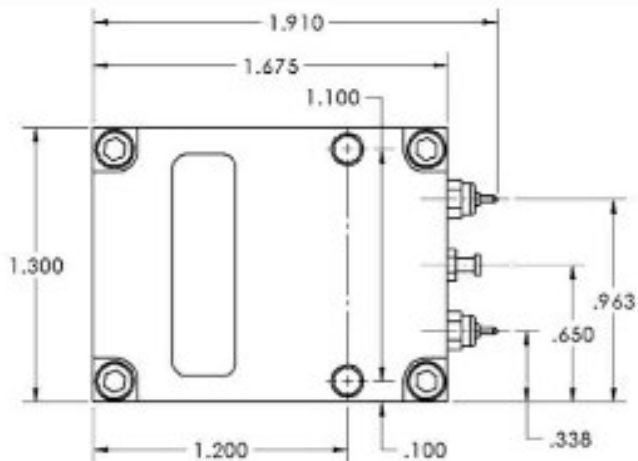
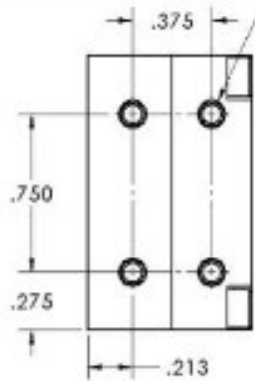


Frequency (GHz)	Linear Gain (dB)	P1dB (dBm)	PSAT (dBm)
88.00	8.5	23.8	27.9
89.00	10.0	25.4	28.4
90.00	11.0	26.9	30.1
91.00	12.2	27.2	30.6
92.00	14.5	28.2	31.2
93.00	15.6	29.4	31.4
94.00	16.0	29.6	31.2
95.00	16.1	28.8	30.4
96.00	14.9	26.9	28.2
97.00	12.6	26.4	28.3
98.00	11.1	26.1	28.2
99.00	9.7	24.1	26.3
100.00	8.9	23.5	26.1

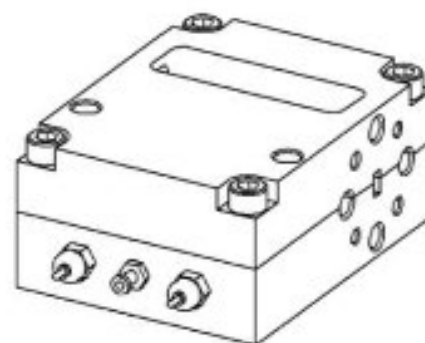
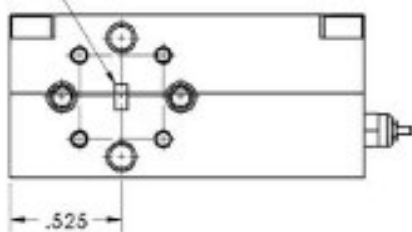
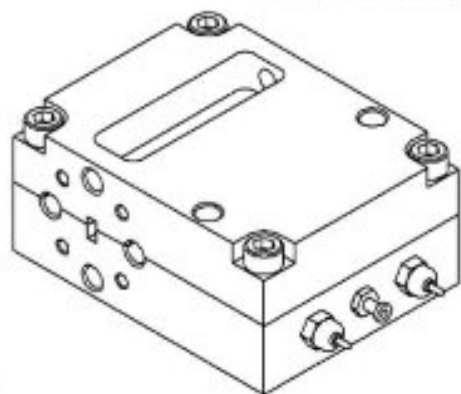
Made in the USA

✉ Sales@QuantumMicrowave.com

4X #4-40 UNC - 2B  $\nabla$  .180



WR-10, WR-12, or WR-15 Waveguide  
With standard Flange Pattern



Made in the USA

✉ Sales@QuantumMicrowave.com