

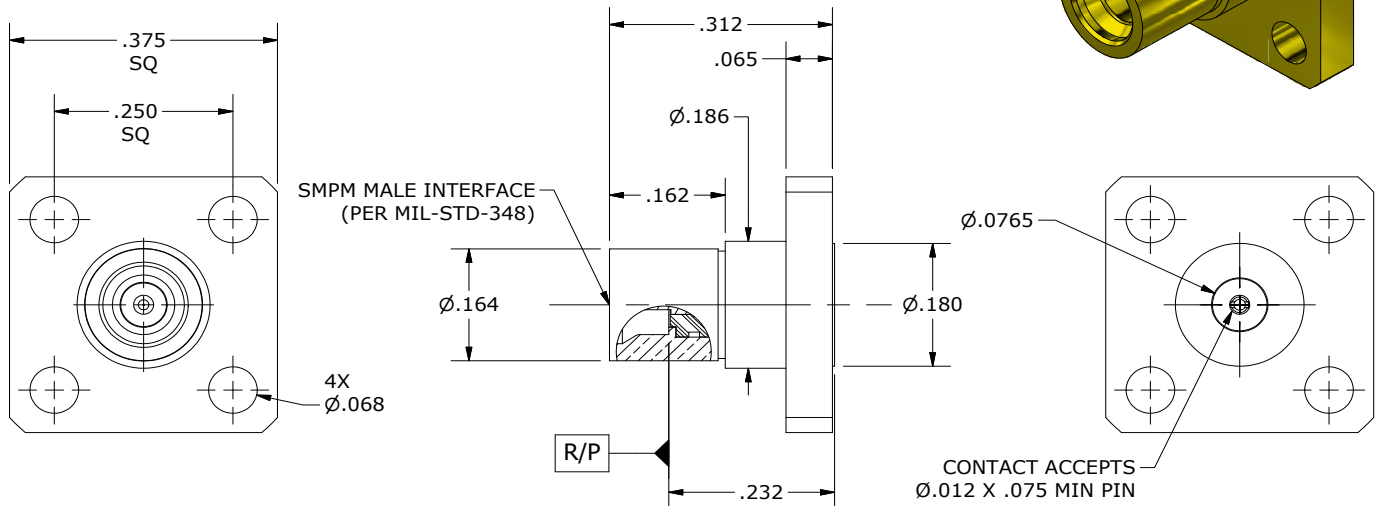
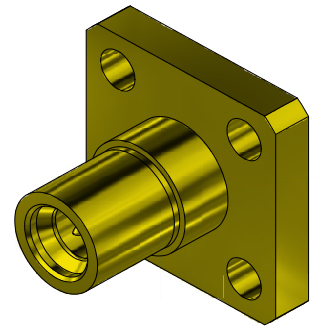


Specifications:

- SMPM Male Connector
- 4 Hole Flange
- Accepts 0.012 in by 0.075 in deep pin
- 100% Non-Magnetic
- Material: Beryllium Copper
- Finish: Copper Flash, Gold Plate
- Non-Magnetic 0.012 pins available upon request



All of our connectors are high quality, 100% non-magnetic and offered affordably.



Made in the USA

✉ Sales@QuantumMicrowave.com