



Specifications:

- Crystalline Quartz Cryogenic Attenuator
- Non-Magnetic
- Capable of operation at 10mK
- Attenuation: 3 dB
- Frequency: DC to 18 GHz
- Return Loss: -23 dB typical
- Max Power: 100mW
- Connectors: SMP Male and SMP Female
- NiCr on crystalline 5 mil quartz
- Non-superconducting microstrip pad
- Stackable mechanical design
- Housing: Gold Plated OFHC Copper
- All connector varieties available in male and female:
- 2.92 mm, SMA, SMP, SMPM, SMPS
- All connectors are field replaceable and swappable

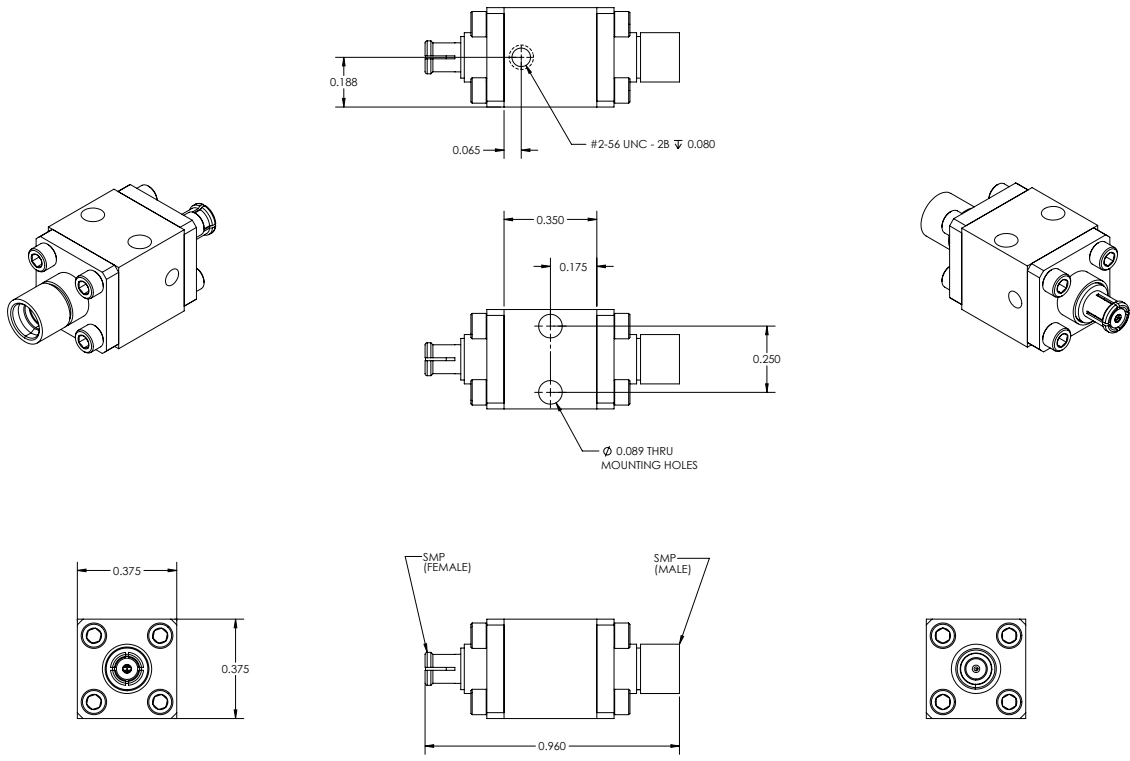
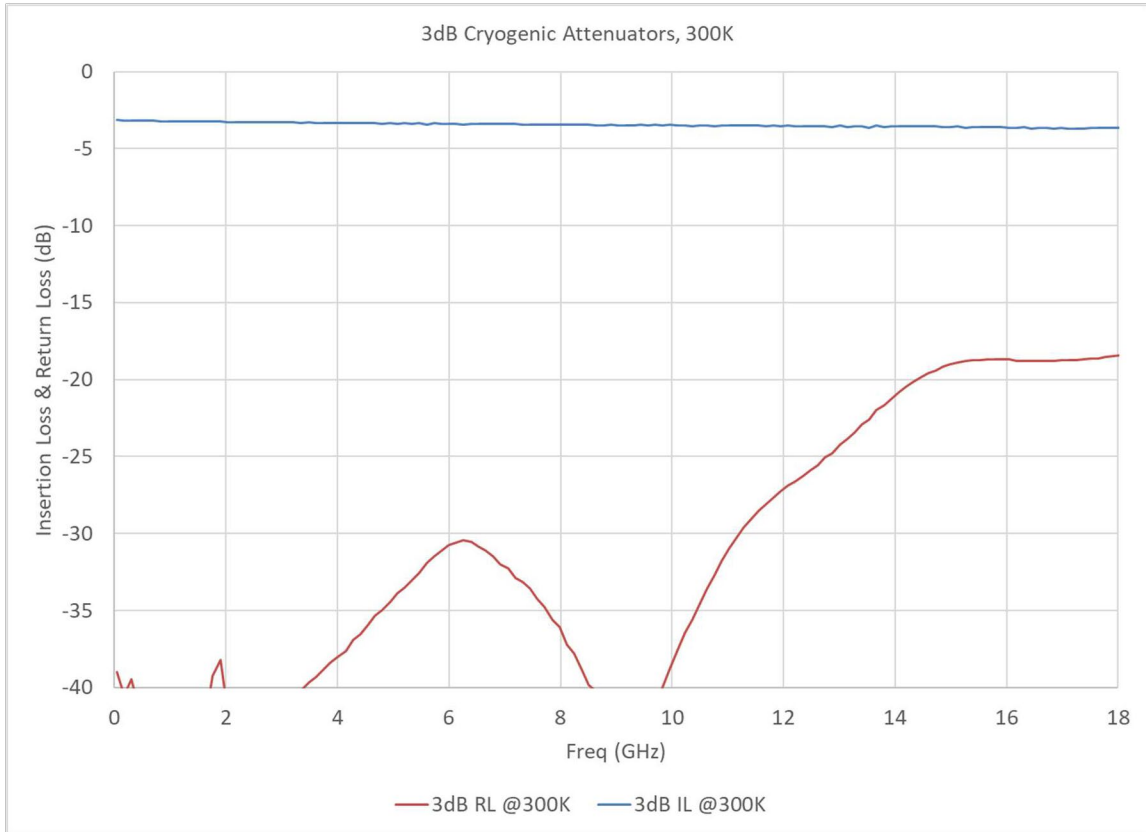


| Parameter | Specification | Notes |
|---|----------------------------------|-------|
| Frequency Range | DC to 18 GHz | |
| Attenuation Setting @5GHz | +/- 0.5 dB or +/-5% (greater of) | |
| Insertion Loss variation with frequency | <1.0 dB | |
| Return Loss, all models | -23 dB typical | |
| Connectors | SMP Male and SMP Female | |
| Max Power Handling | 100 mW | |

Made in the USA

✉ Sales@QuantumMicrowave.com

Measured Data (typical)



Made in the USA
 Sales@QuantumMicrowave.com