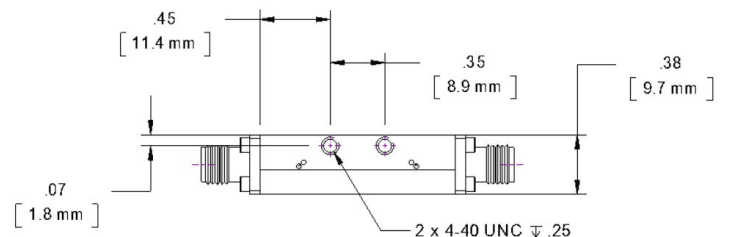
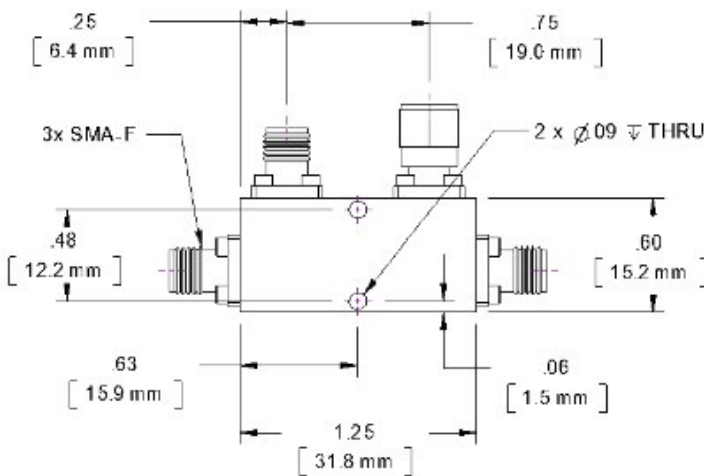
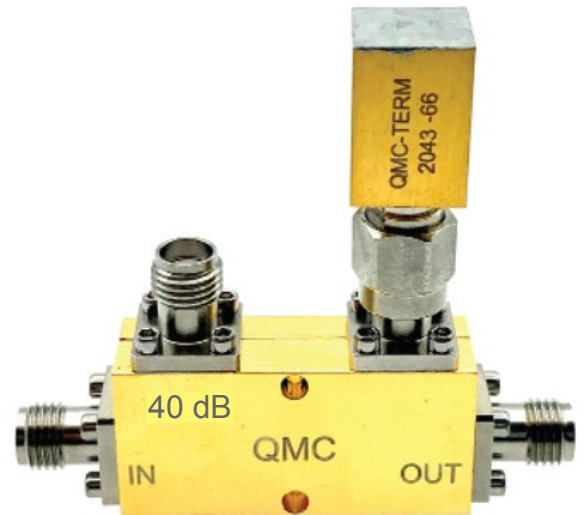




Specifications:

- Cryogenic Directional Coupler
- Frequency: 3.4 to 12.3 GHz Goal
- Frequency: 4 to 12 GHz
- Coupling Value: 40 dB
- Tolerance: 1.0 dB max
- Directivity: 15 dB min
- Insertion Loss: 0.5 dB max
- *Excludes loss due to coupling factor
- Power: 3W max
- SMA connectors
- Stackable mechanical design
- Operation Temp: 10mK
- Machined OFHC block
- Finish: Gold Plated
- Note: Comes with a cryogenic 50ohm termination-
QMC-CRYOTERM-0412



Made in the USA

✉ Sales@QuantumMicrowave.com

