

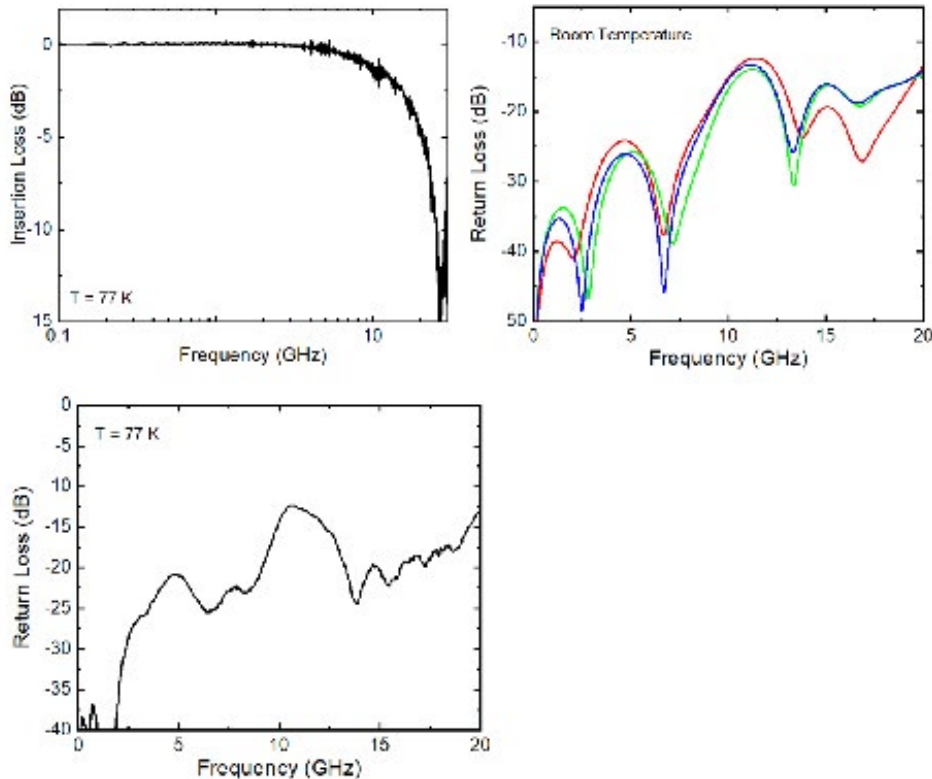


Specifications:

- High Cut-Off Frequency Infrared Filter
- Insertion loss typically 1 dB @ 10 GHz @ 77 K
- Return loss up to 9 GHz better than 15 dB (typical)
- Based on magnetically loaded dielectric absorber Eccosorb CR 110
- Length of absorber in filter: 6 mm
- Length: 1.36 inches
- Impedance: 50 Ω
- Capable of operation at 10 mK
- Connectors: SMA M on one side SMA F on the other

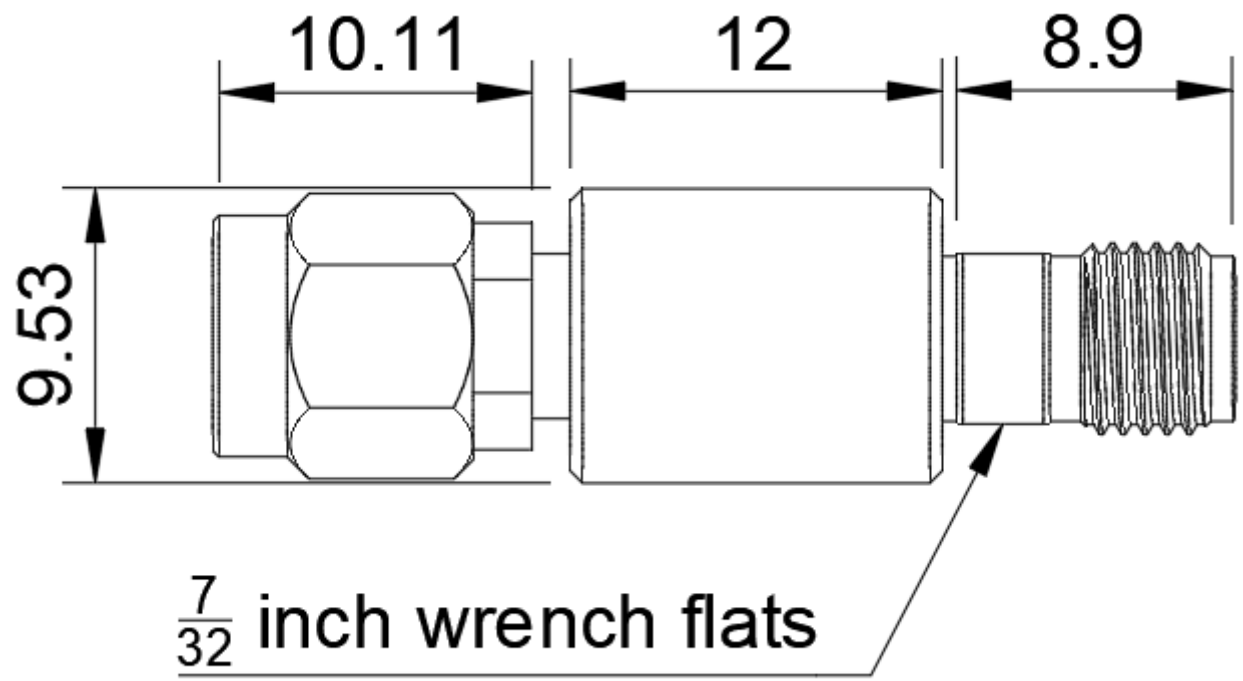


Typical Frequency Response:



Made in the USA

✉ Sales@QuantumMicrowave.com



Made in the USA

✉ Sales@QuantumMicrowave.com