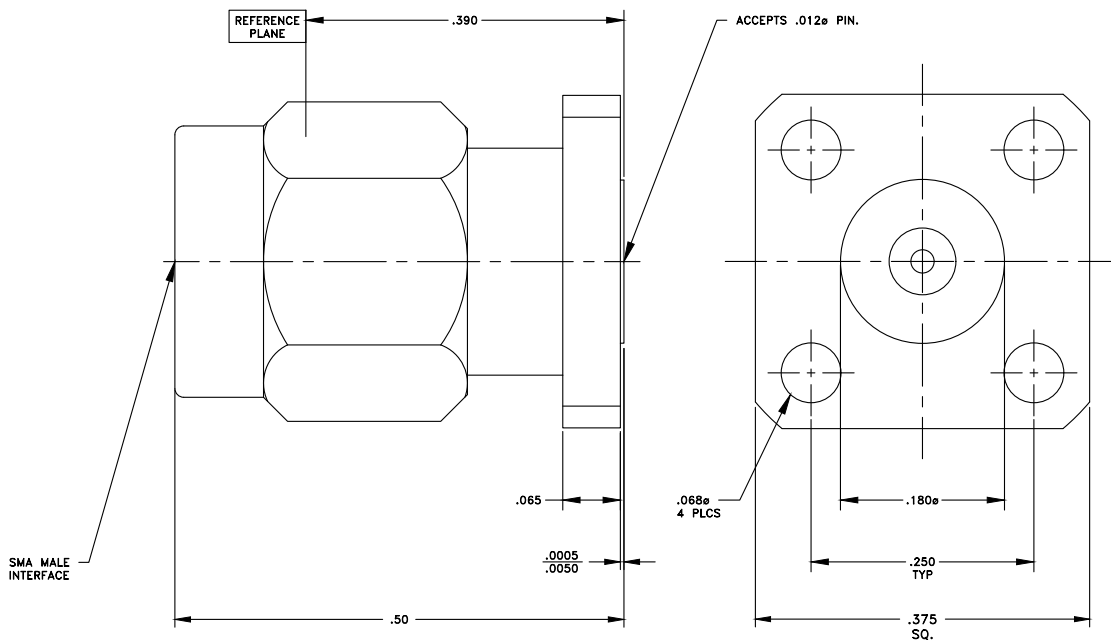




Specifications:

- Non-Magnetic Cryogenic Connector (SMA Male)
- Comes with 2 Teflon Sleeves
- Comes with 2 Non-Magnetic Launch Pins
- Body: Phosphor Bronze
- Contact: Beryllium Copper
- Insulators: PTFE and Ultem
- Bushing: Phosphor Bronze
- Sleeve: Phosphor Bronze
- Finish: Gold Plated
- Impedance: 50 Ohm
- Frequency Range: DC to 27 GHz
- RoHS, REACH and DFARS Compliant



Made in the USA

✉ Sales@QuantumMicrowave.com