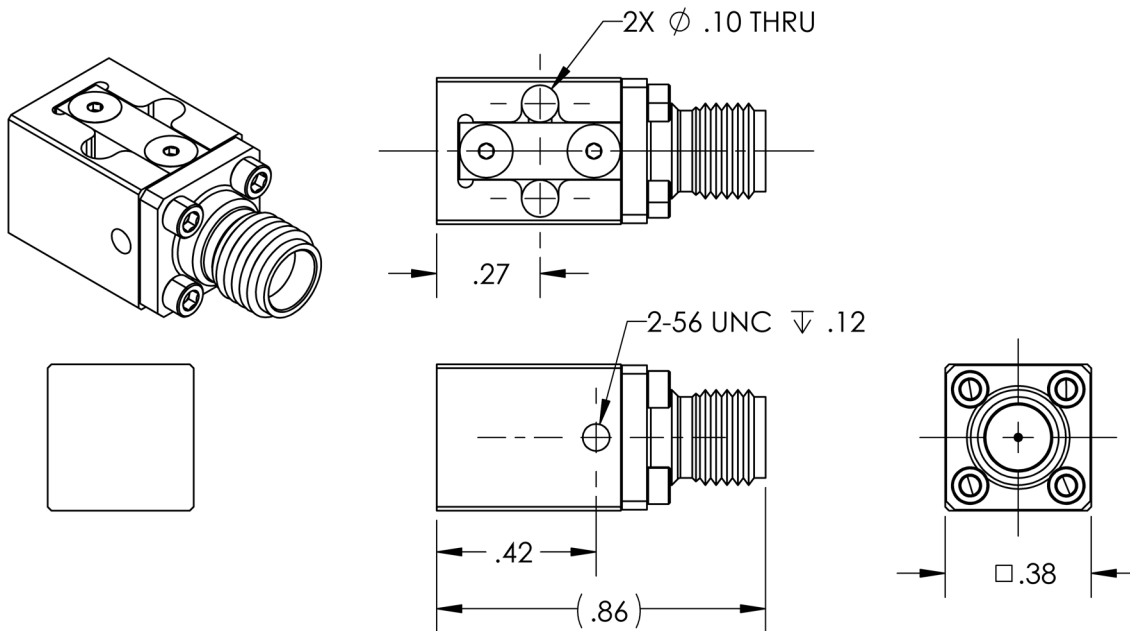




Specifications:

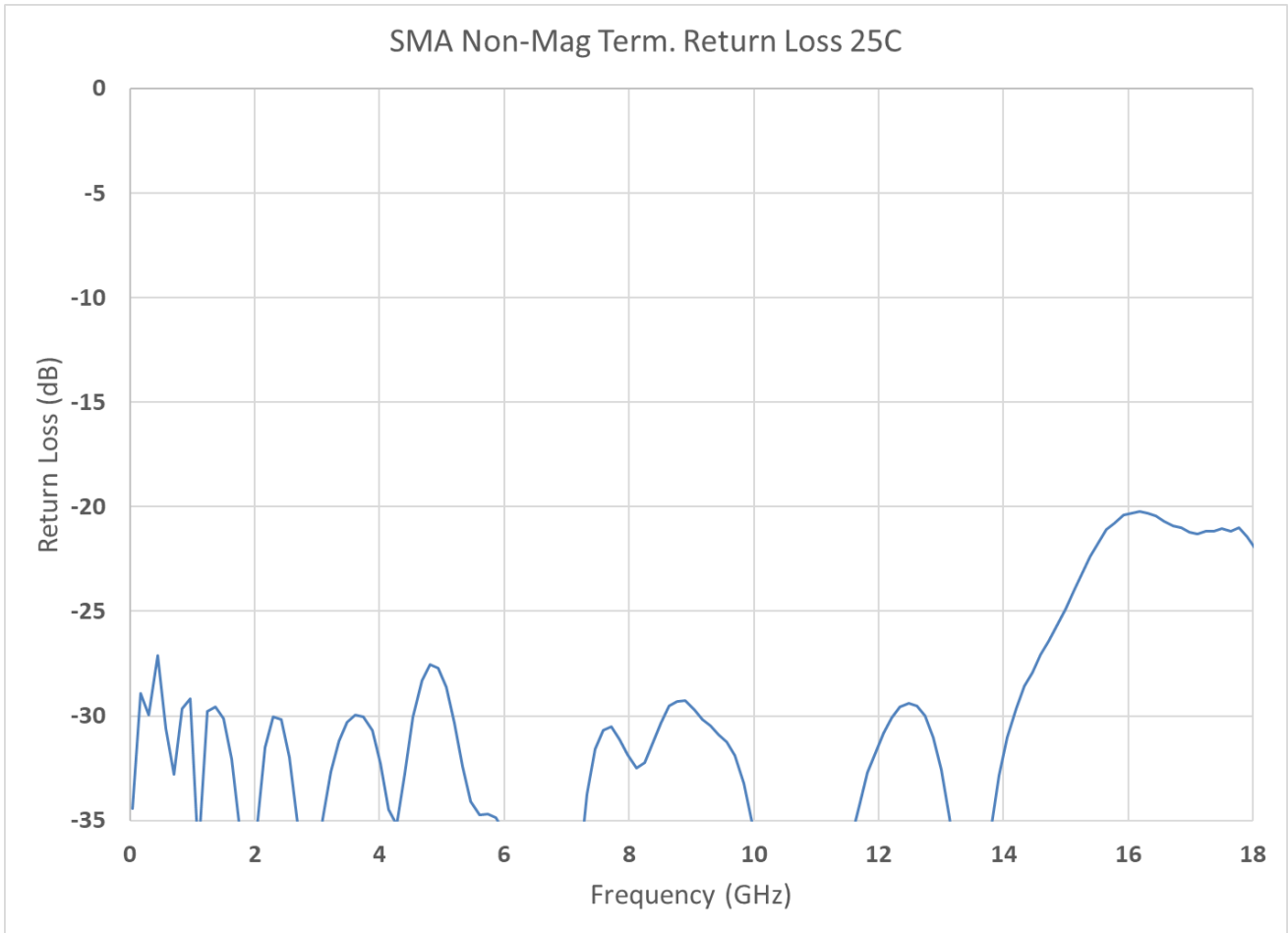
- DC-18 GHz Non-Magnetic Cryogenic Termination
- Frequency: DC to 18 GHz
- Return Loss: 18 dB typical
- Max Power Handling: 100 mW
- 50 Ohm Load
- Excellent RF Match
- Non-superconducting microstrip pad
- NiCr on crystal quartz dielectric
- Silver Epoxy bonded
- Machined OFHC block, gold plated
- SMA Female Connector
- Stackable mechanical design
- Operates in the mK Temperature Range



Made in the USA

✉ Sales@QuantumMicrowave.com

Measured Data (typical)



Made in the USA

✉ [Sales@QuantumMicrowave.com](mailto:Sales@QuantumMicrowave.com)