

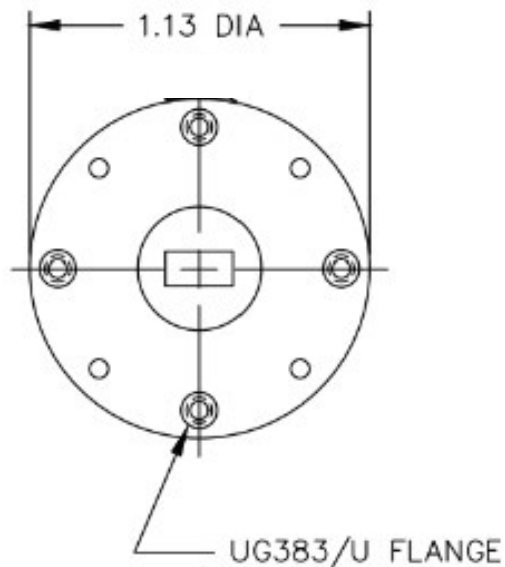


Specifications:

- WR-19 Waveguide Termination
- Frequency 40 to 60 GHz
- VSWR max: 1.05:1
- Average Power max: 2W
- Waveguide: UG383/U-M Round Flange
- Length: 1.75 inches typical
- Material: Copper Waveguide, Brass Flanges, Gold Plated
- Comes with 4 waveguide screws



Our waveguide terminations are high quality, gold plated and are priced affordably.



Made in the USA

✉ Sales@QuantumMicrowave.com