

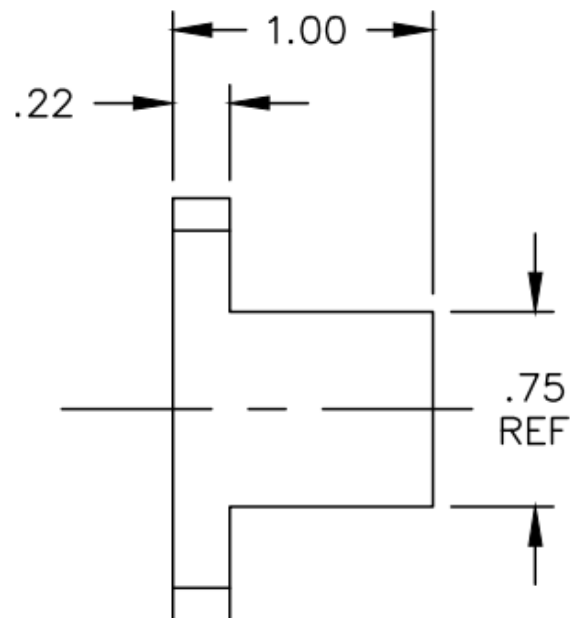
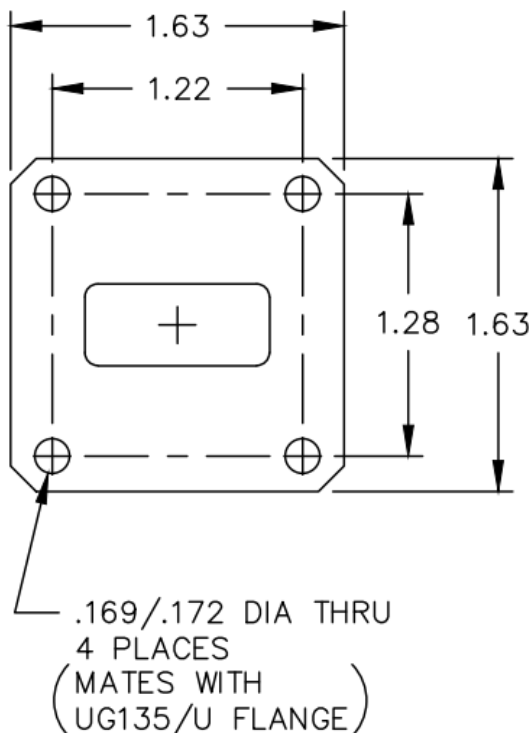


Specifications:

- Waveguide Termination
- Frequency: 8.2 to 12.4 GHz
- VSWR: 1.20:1 Max
- Power Handling: 2W Avg, 5W Peak
- Waveguide: WR-90, UG-135/U
- Length: 1 inch
- Finish: Chem Film
- Comes with waveguide screw kit.



Our waveguide terminations are high quality, gold plated and are priced affordably.



Made in the USA

✉ Sales@QuantumMicrowave.com