

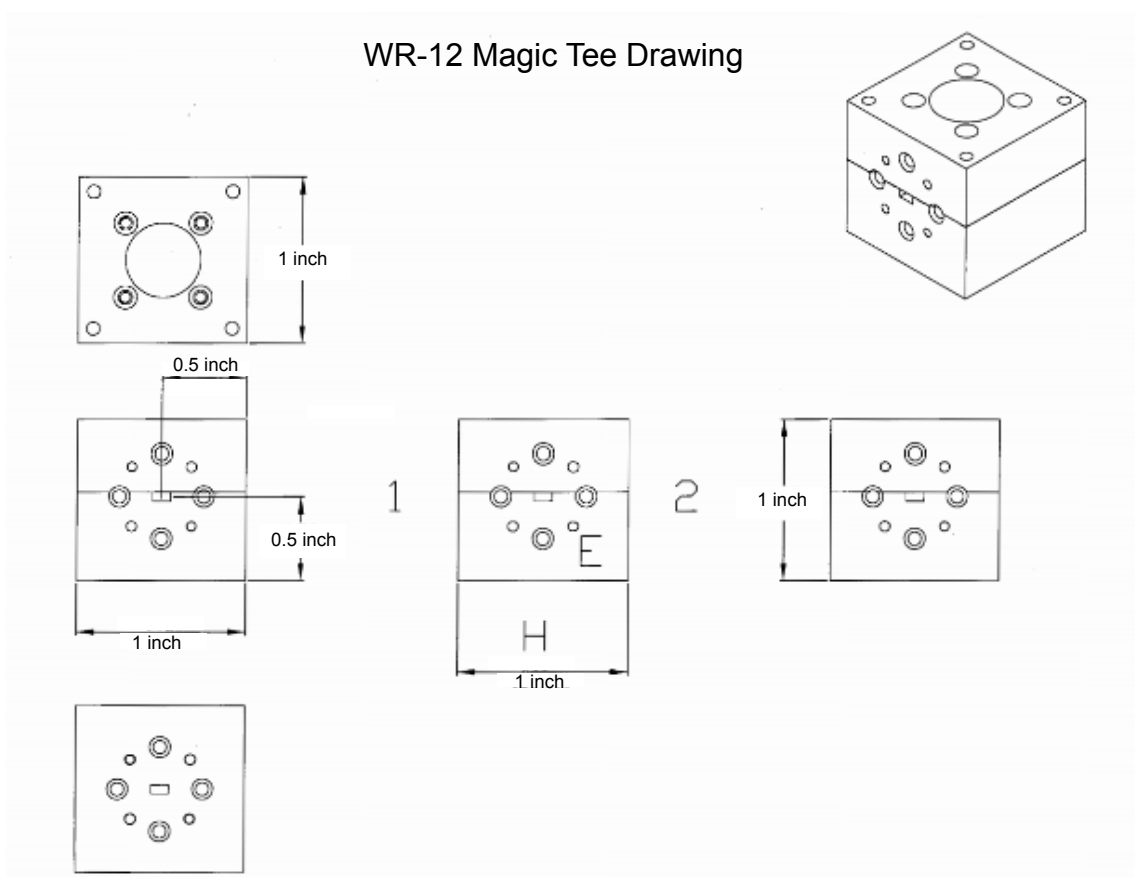


Specifications:

- WR-12 Magic Tee Splitter
- Frequency: 60 to 86 GHz
- Works from 60 to 90 GHz with small degradation
- Insertion Loss: 0.35 dB typical
- VSWR: 1.5:1 max
- Balance: 0.5 dB max
- Max Power: 1.5 W
- Material: Brass
- Finish: Gold Plated
- Waveguide: WR-12, UG387/U, Round
- Note: 4th port internally terminated



WR-12 Magic Tee Drawing



Made in the USA

✉ Sales@QuantumMicrowave.com