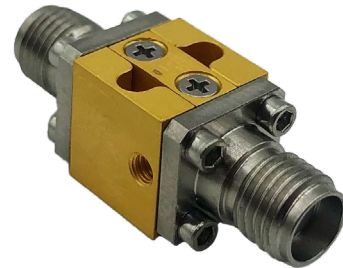




Specifications:

- Crystalline Quartz Cryogenic Attenuator
- Capable of operation at 10 mK
- Attenuation 20 dB
- Frequency: DC to 18 GHz
- Return Loss: -23 dB typical
- Connectors: SMA F on Both Sides
- Max Power: 100 mW
- Housing Gold Plated OFHC Copper
- NiCr on thermally conductive dielectric
- Non-superconducting microstrip pad

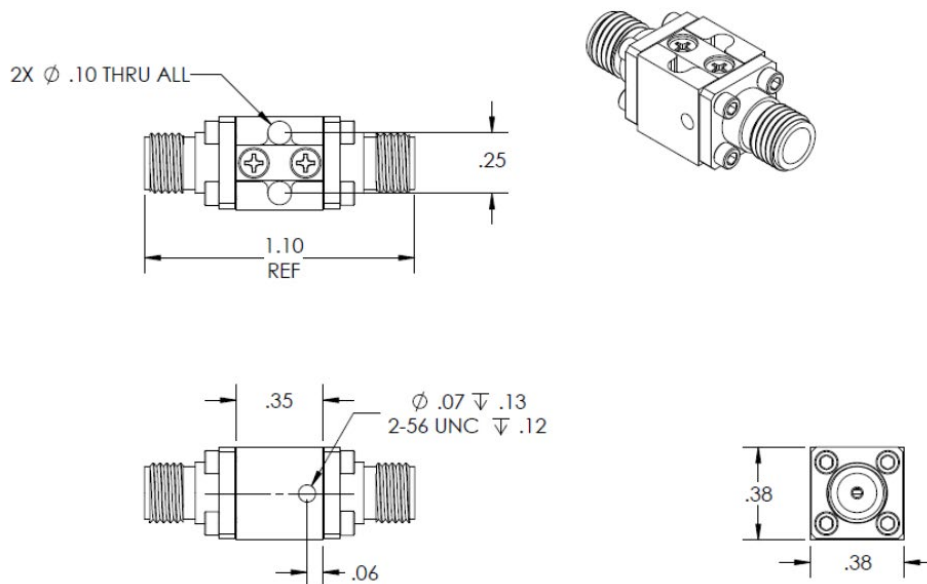
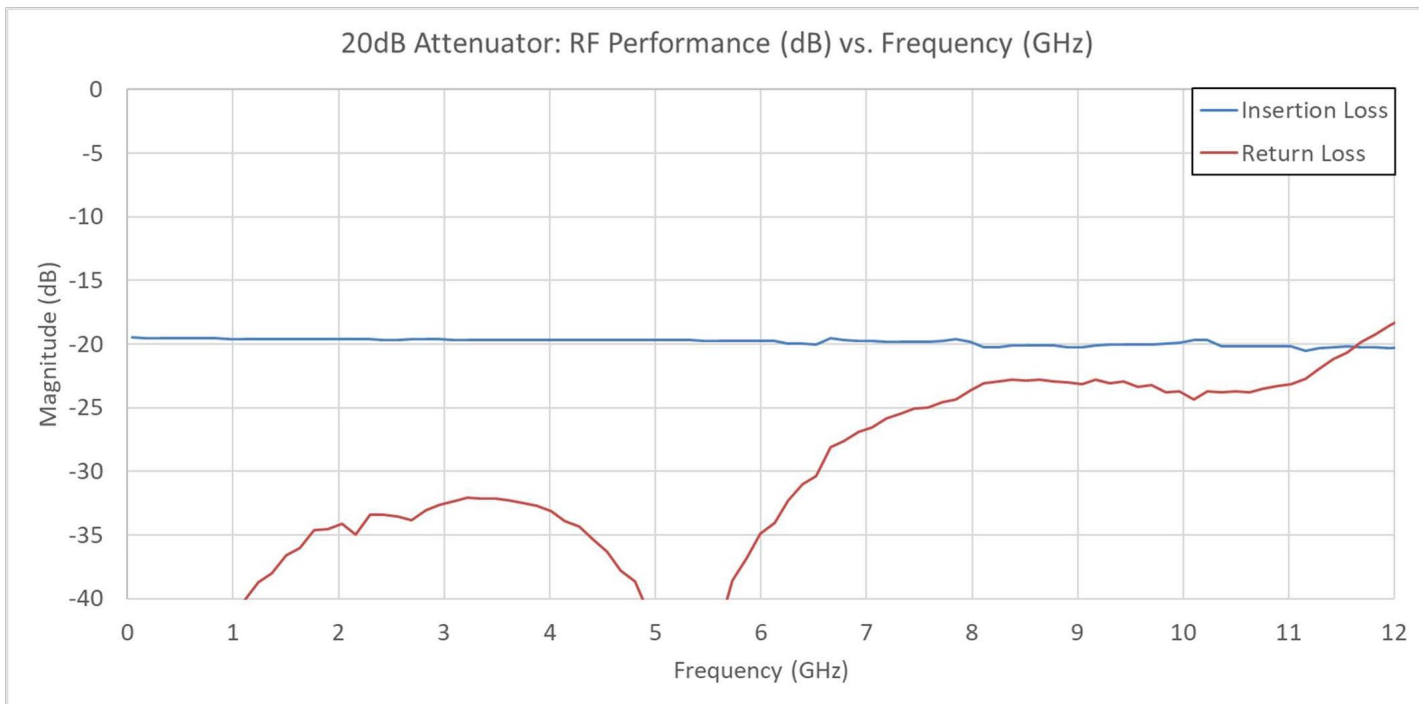


| Parameter                               | Specification                    | Notes |
|---|----------------------------------|-------|
| Frequency Range                         | DC to 18 GHz                     |       |
| Attenuation Setting @5GHz               | +/- 0.5 dB or +/-5% (greater of) |       |
| Insertion Loss variation with frequency | <1.0 dB                          |       |
| Return Loss, all models                 | -23 dB typical                   |       |
| Connectors                              | SMA Female on Both Sides         |       |
| Max Power Handling                      | 100 mW                           |       |

Made in the USA

✉ Sales@QuantumMicrowave.com

# Measured Data (typical)



Made in the USA

✉ Sales@QuantumMicrowave.com