

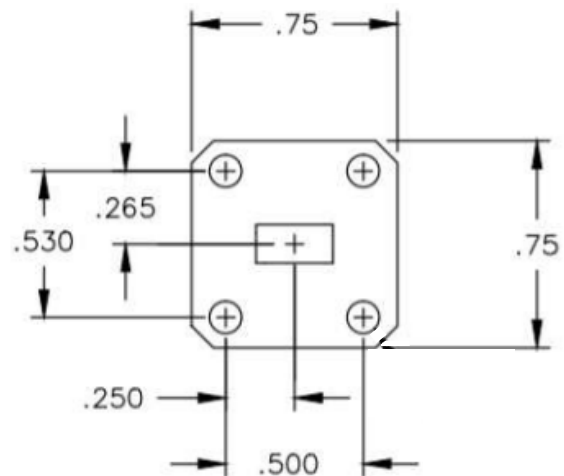
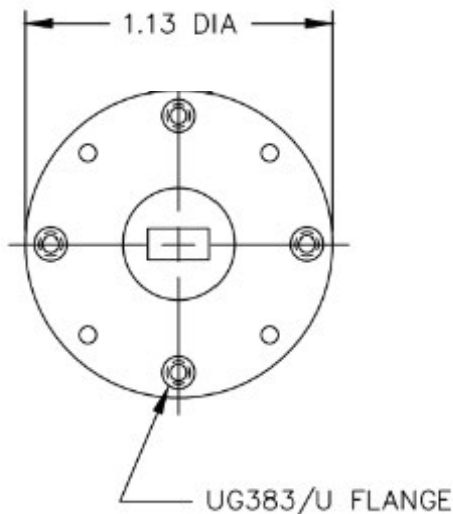


Specifications:

- Waveguide Tapered Transition
- WR-22 to WR-28
- Flange 1: WR22 UG-383/U Round
- Flange 2: WR28 UG-599/U Cover
- Length: 2 inches
- Material: OFHC Copper Waveguide
- Brass Flanges
- Finish: Gold Plated



Our waveguide transitions are high quality, plated with gold and offered at an affordable cost.



Made in the USA

✉ Sales@QuantumMicrowave.com