

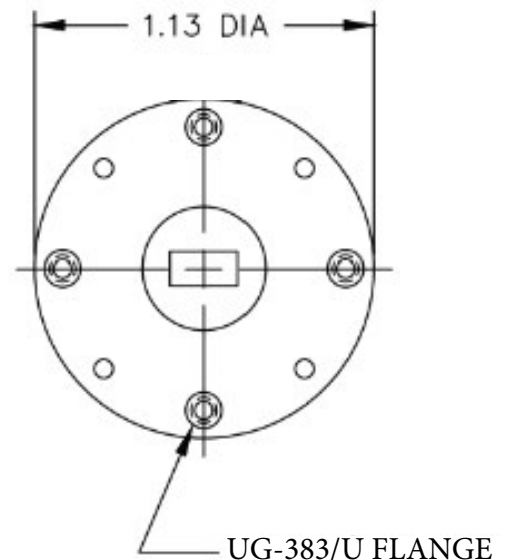
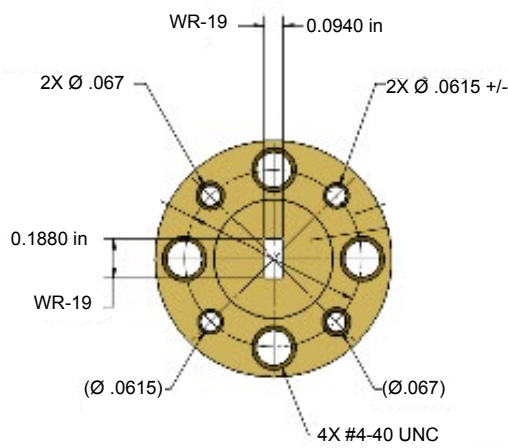


Specifications:

- Waveguide Tapered Transition
- WR-19 to WR-22
- Length: 1.5 inches
- WR-19 Flange: UG-385/U-M 0.750 inch
- WR-22 Flange: UG-383/U-M 1.125 inch
- Round Brass Flanges
- Gold Plated



Our waveguide transitions are high quality, plated with gold and offered at an affordable cost.



Made in the USA

✉ Sales@QuantumMicrowave.com