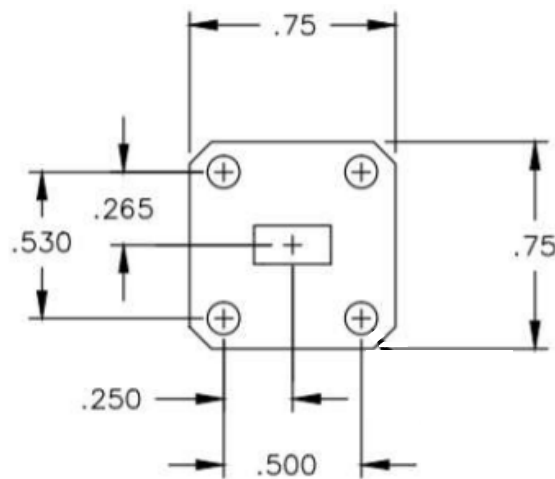
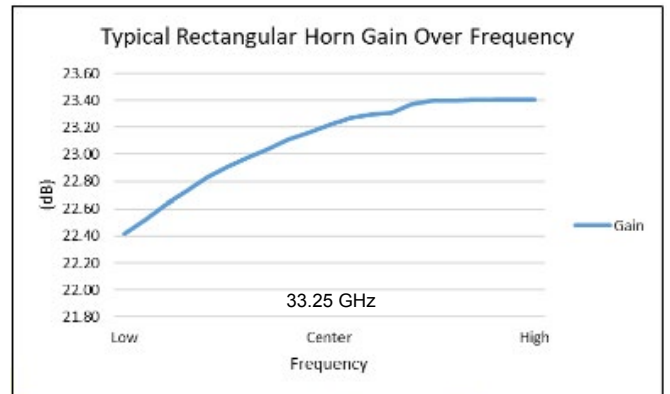
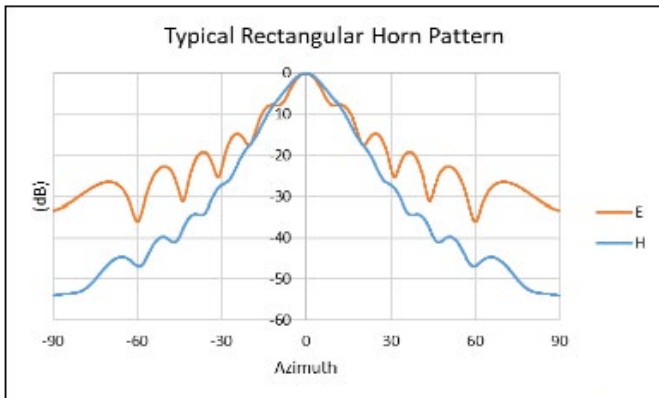
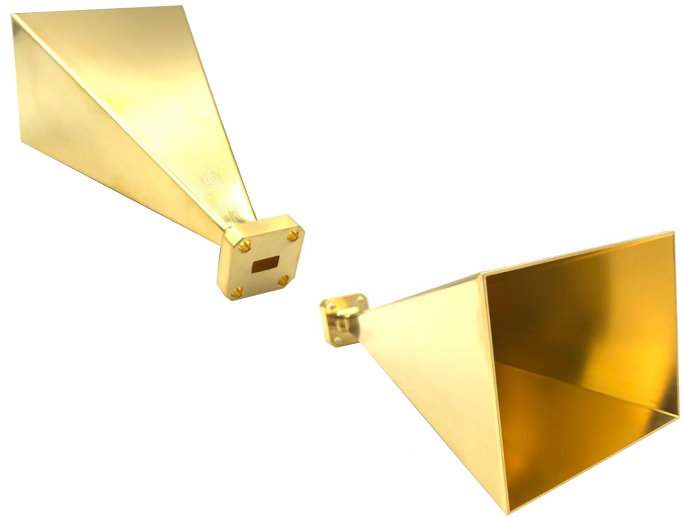




Specifications:

- WR-28 Pyramidical Gain Horn
- Frequency: 26.5 to 40 GHz
- Height: 2.07 in
- Length: 5.00 in
- Width: 2.71 in
- Gain: 23 dBi typical
- VSWR: 1.1:1
- Return Loss: 23 dB typical
- Waveguide: WR-28, UG-599/U
- Square Brass Flange
- Gold Plated Electroformed Version



Made in the USA

✉ Sales@QuantumMicrowave.com