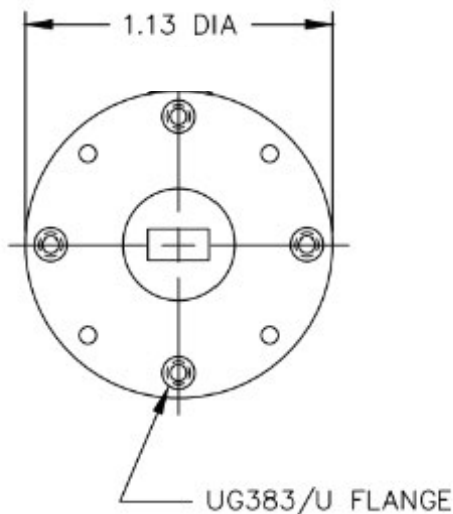
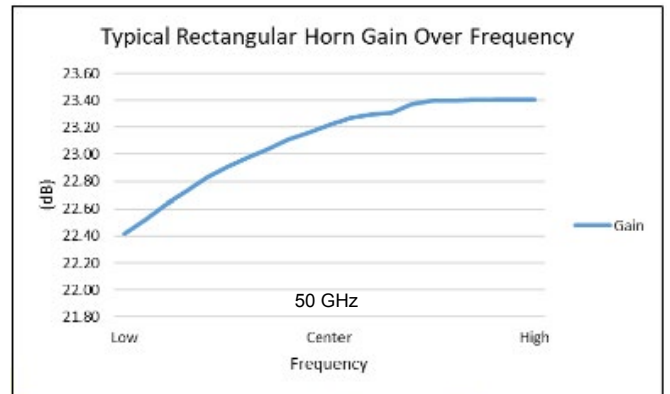
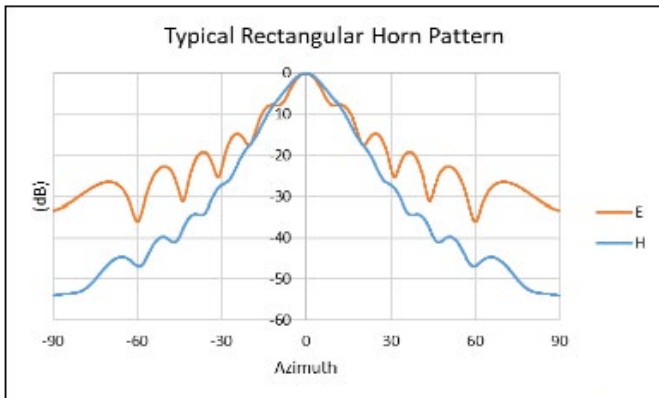
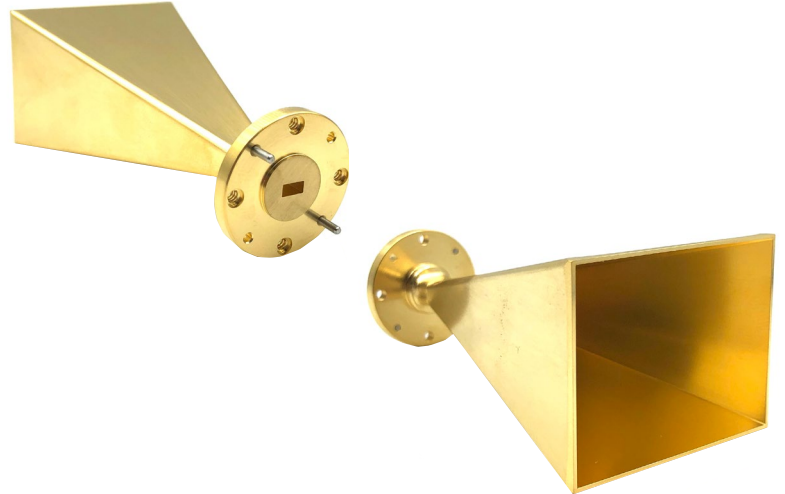




Specifications:

- WR-19 Pyramidal Gain Horn
- Frequency: 40 to 60 GHz
- Height: 1.39 in
- Length: 3.48 in
- Width: 1.82 in
- Gain: 23 dBi typical
- VSWR: 1.1:1
- Return Loss: 23 dB typical
- Waveguide: WR-19, UG-383/U
- Round Brass Flanges
- Gold Plated Electroformed Version



Made in the USA

✉ Sales@QuantumMicrowave.com