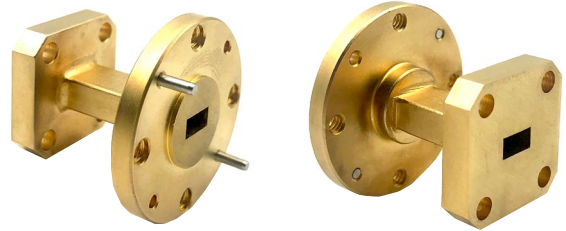


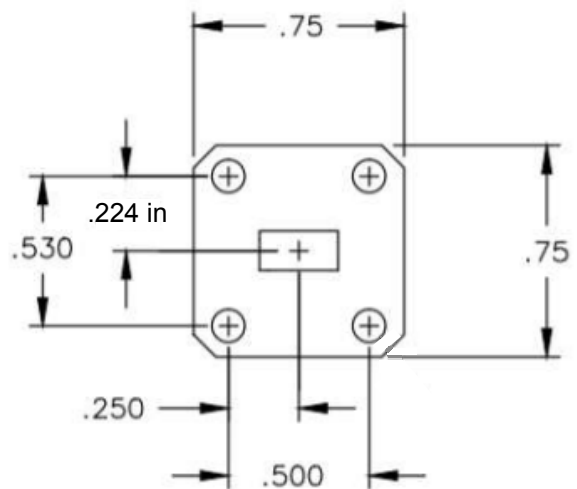
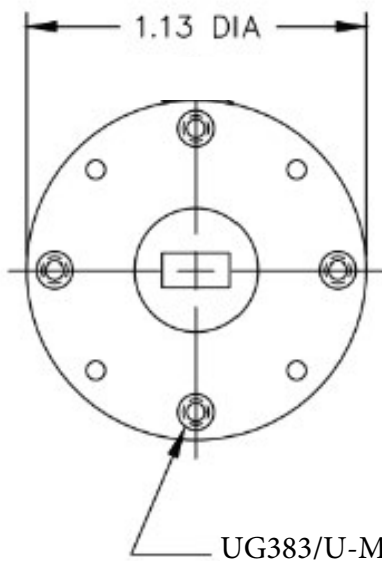


Specifications:

- WR-22 Waveguide Flange Adapter
- Frequency: 33 to 50 GHz
- WR-22 Straight Section
- Length: 1.00"
- Flange 1: UG-599/U-M (Square)
- Flange 2: UG-383/U (Round)
- Material: OFHC Copper Waveguide, Brass Flanges
- Finish: Gold Plated



Our waveguide flange adapters are high quality, gold plated and are priced affordably.



Made in the USA

✉ Sales@QuantumMicrowave.com