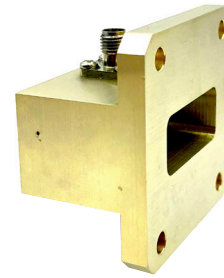


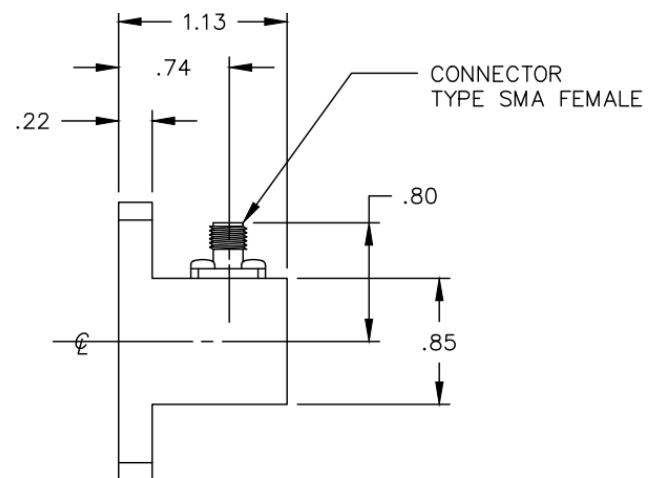
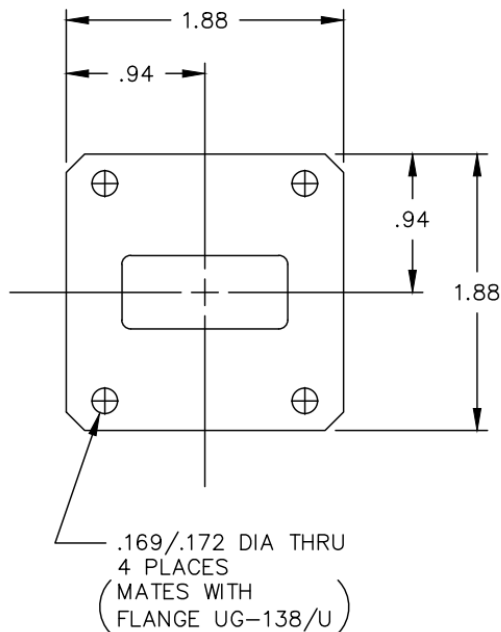
www.QuantumMicrowave.com

Specifications:

- Waveguide to SMA Female Adapter
- Frequency: 7.05 to 10 GHz
- VSWR: 1.25:1 max
- Insertion Loss: 0.15 dB max
- Waveguide WR-112, UG-138/U
- Material: Aluminum with Gold Chem Film
- T-Vac compatible



QMC-WC112-SFR are right angle (90°) WR-112 waveguide to coax adapters that cover the frequency range of 7.05 to 10 GHz. Quantum Microwave also has Waveguide to Coax adapters ranging from WR-42 to WR-10. All of our waveguide products can be custom made to your required specifications.



Made in the USA

✉ Sales@QuantumMicrowave.com