

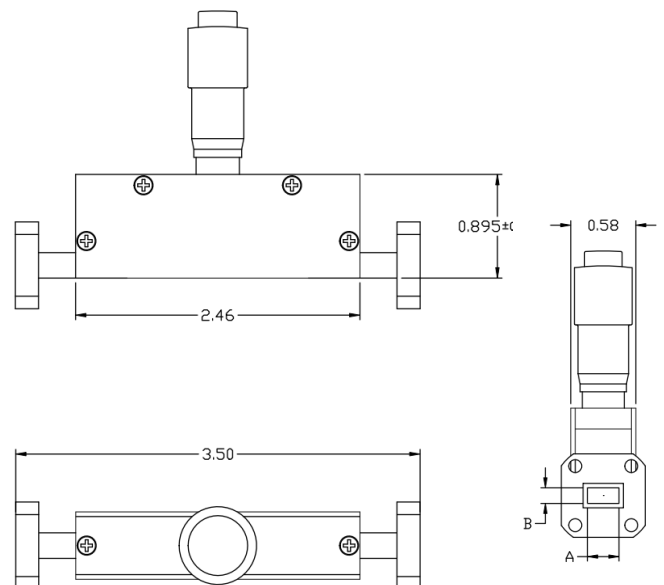
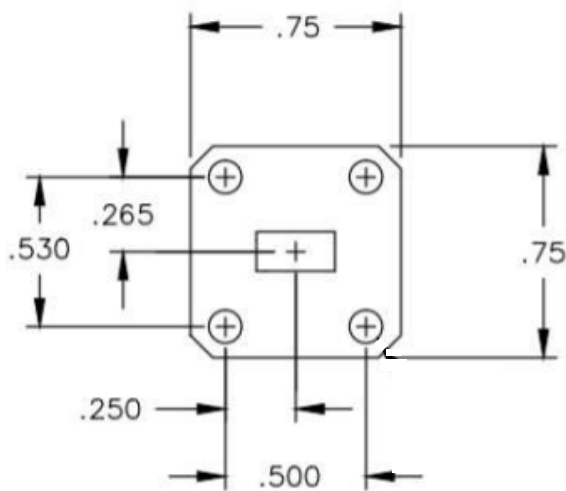
www.QuantumMicrowave.com

Specifications:

- WR-28 Level Set Attenuator
- Frequency: 26.5 to 40 GHz
- Micrometer Attenuation: 0 to 30 dB
- Insertion Loss: 0.2 dB typical
- Return Loss: 20 dB typical
- Power max: 1 W
- Waveguide In/Out: UG-599/U
- Square Flange
- Waveguide material: Copper
- Gold Plated Brass Flanges
- Finish: Black Paint



QMC-LSA28-S000 is a Ka Band Level Set Attenuator and covers a frequency range of 26.5 to 40 GHz. This attenuator is equipped with a micrometer dial. Our attenuator is ideal for a waveguide system where broadband level setting is required.



Made in the USA

✉ Sales@QuantumMicrowave.com