

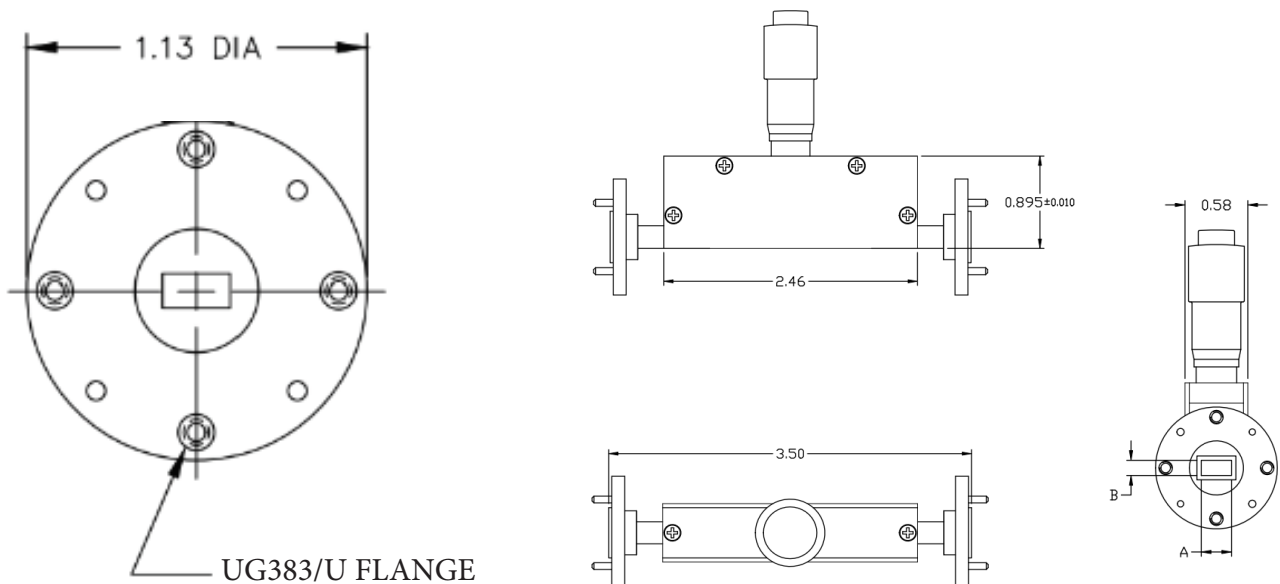
[www.QuantumMicrowave.com](http://www.QuantumMicrowave.com)

### Specifications:

- WR-22 Level Set Attenuator
- Frequency: 33 to 50 GHz
- Micrometer Attenuation: 0 to 30 dB
- Insertion Loss: 0.3 dB typical
- Return Loss: 20 dB typical
- Power max: 750 mW
- Waveguide In/Out: UG-383/U
- Round Flange
- Waveguide material: Copper
- Gold Plated Brass Flanges
- Finish: Black Paint



QMC-LSA22-R000 is a Q Band Level Set Attenuator and covers a frequency range of 33 to 50 GHz. This attenuator is equipped with a micrometer dial. Our attenuator is ideal for a waveguide system where broadband level setting is required.



Made in the USA

✉ [Sales@QuantumMicrowave.com](mailto:Sales@QuantumMicrowave.com)