

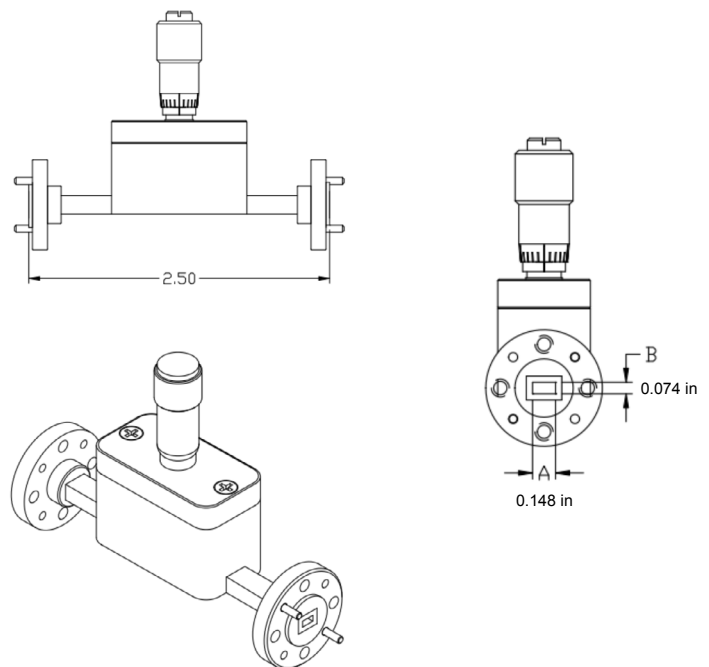
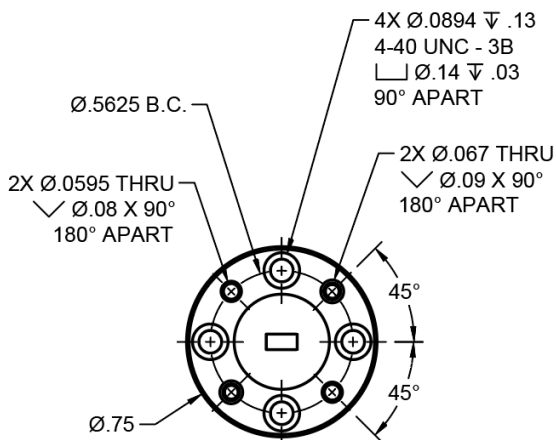


Specifications:

- WR-15 Level Set Attenuator
- Frequency: 50 to 75 GHz
- Micrometer Attenuation: 0 to 30 dB
- Insertion Loss: 0.3 dB typical
- Return Loss: 20 dB Typical
- Power max: 500 mW
- Flange Type: UG-385/U
- Material: OFHC Waveguide & Brass Flange
- Finish: Gold Plated



QMC-LSA15-R000 is a V Band Level Set Attenuator and covers a frequency range of 50 to 75 GHz. This attenuator is equipped with a micrometer dial. This attenuator is ideal for a waveguide system where broadband level setting is required.



Made in the USA

✉ Sales@QuantumMicrowave.com