

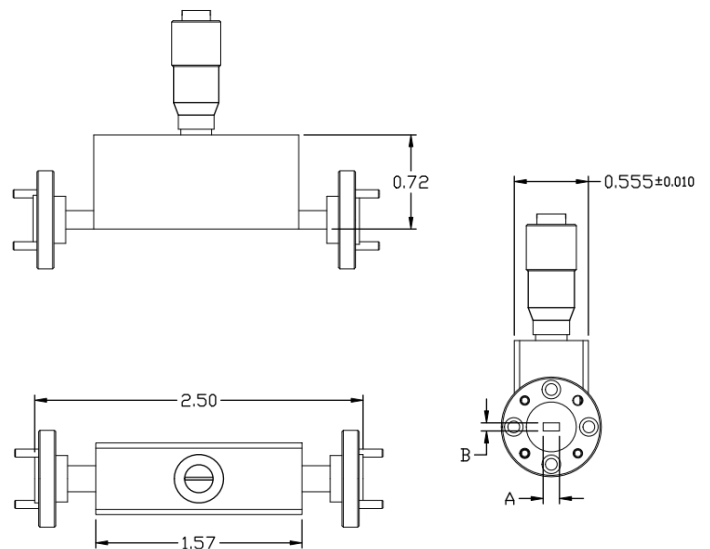
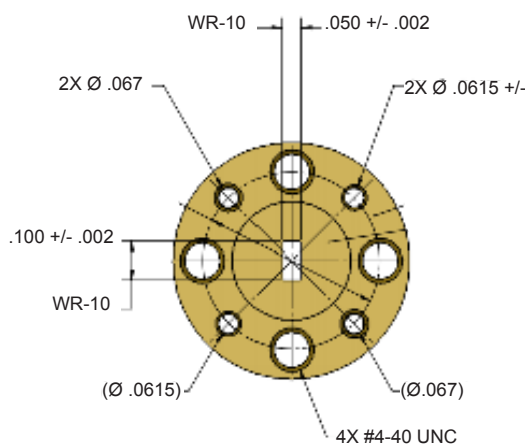
www.QuantumMicrowave.com

Specifications:

- WR-10 Level Set Attenuator
- Frequency: 75 to 110 GHz
- Micrometer Attenuation: 0 to 30 dB
- Insertion Loss: 0.5 dB typical
- Return Loss: 20 dB typical
- Power max: 300 mW
- Waveguide In/Out: UG-387/U-M
- Round Flange
- Waveguide material: Copper
- Gold Plated Brass Flanges
- Finish: Black Paint



QMC-LSA10-R000 is a W Band Level Set Attenuator and covers a frequency range of 75 to 110 GHz. This attenuator is equipped with a micrometer dial. This attenuator is ideal for a waveguide system where broadband level setting is required.



Made in the USA

✉ Sales@QuantumMicrowave.com