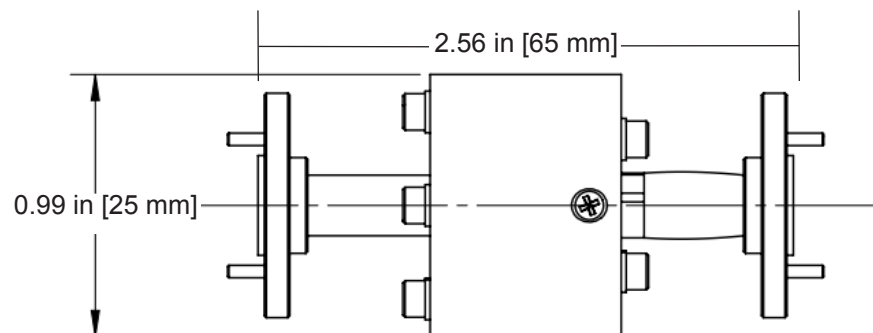
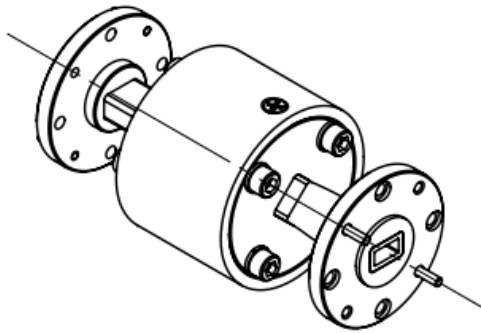


www.QuantumMicrowave.com

Specifications:

- WR-15 Full Band Isolator
- Frequency: 50 to 75 GHz
- Insertion Loss: 1.6 dB typ, 1.8 dB max
- Isolation: 27 dB min
- VSWR In/Out: 1.4:1 Max
- Max Power: 1.5W
- Flange Material: Gold Plated Brass
- Waveguide: WR-15, UG385/U, Round



Made in the USA

✉ Sales@QuantumMicrowave.com