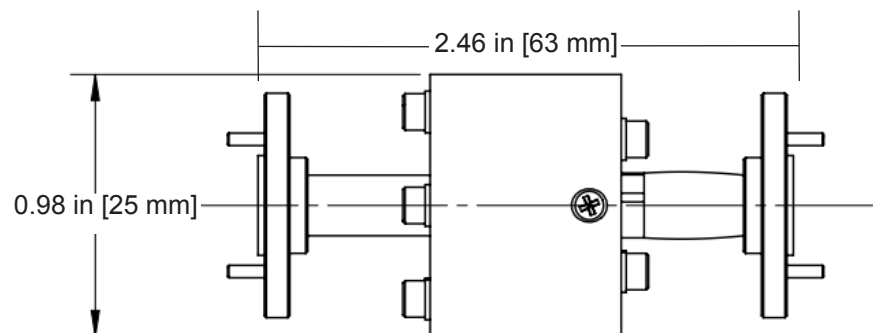
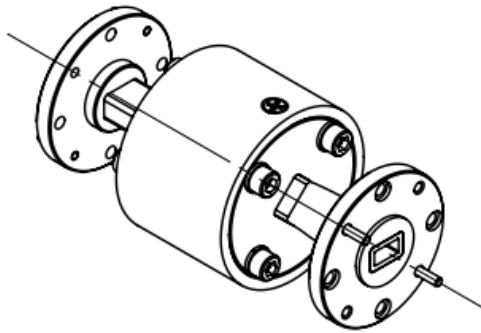


[www.QuantumMicrowave.com](http://www.QuantumMicrowave.com)

### Specifications:

- WR-10 Full Band Isolator
- Frequency: 75 to 110 GHz
- Insertion Loss: 2 dB typ, 2.5 dB max
- Isolation: 27 dB min
- VSWR In/Out: 1.4:1 Max
- Max Power: 1W
- Flange Material: Gold Plated Brass
- Waveguide: WR-10, UG387/U-M, Round



Made in the USA

✉ [Sales@QuantumMicrowave.com](mailto:Sales@QuantumMicrowave.com)