

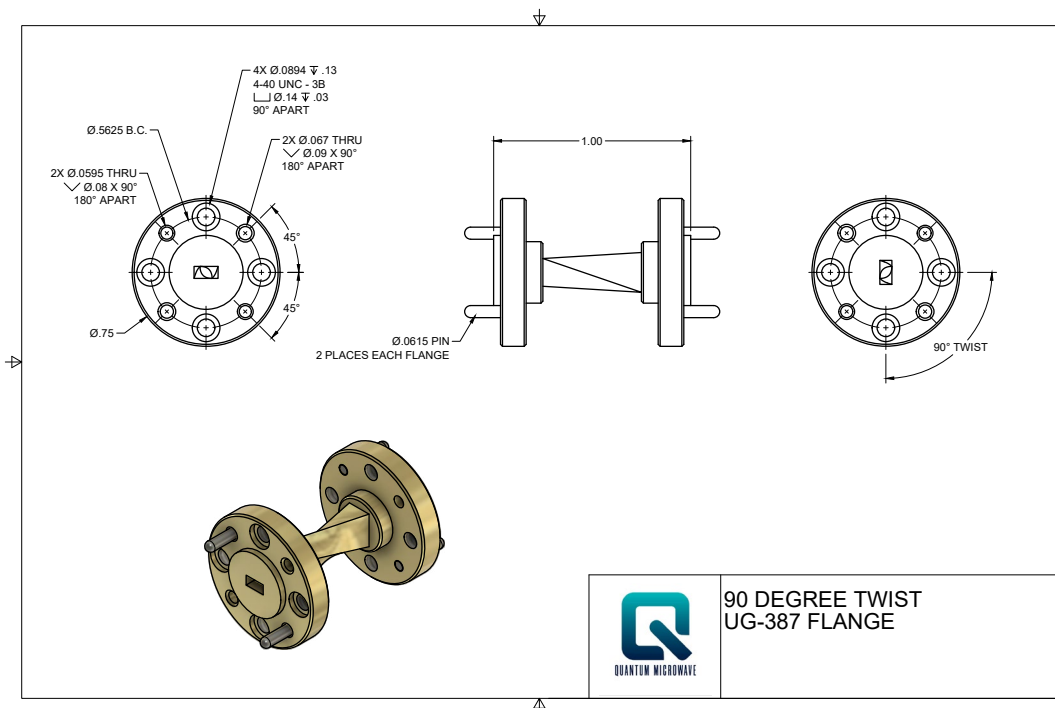


Specifications:

- WR-12 90° WaveGuide Twist
- Frequency: 60 to 90 GHz
- E-Band
- Length: 1 Inch
- Material: Copper
- Finish: Gold Plated
- Low Loss
- UG-387/U



These waveguides are designed to have low loss and high performance
They are designed for low cost to save our customers money



Comes with quantity 4 pcs of 4-40 captive waveguide screws
Made in the USA