

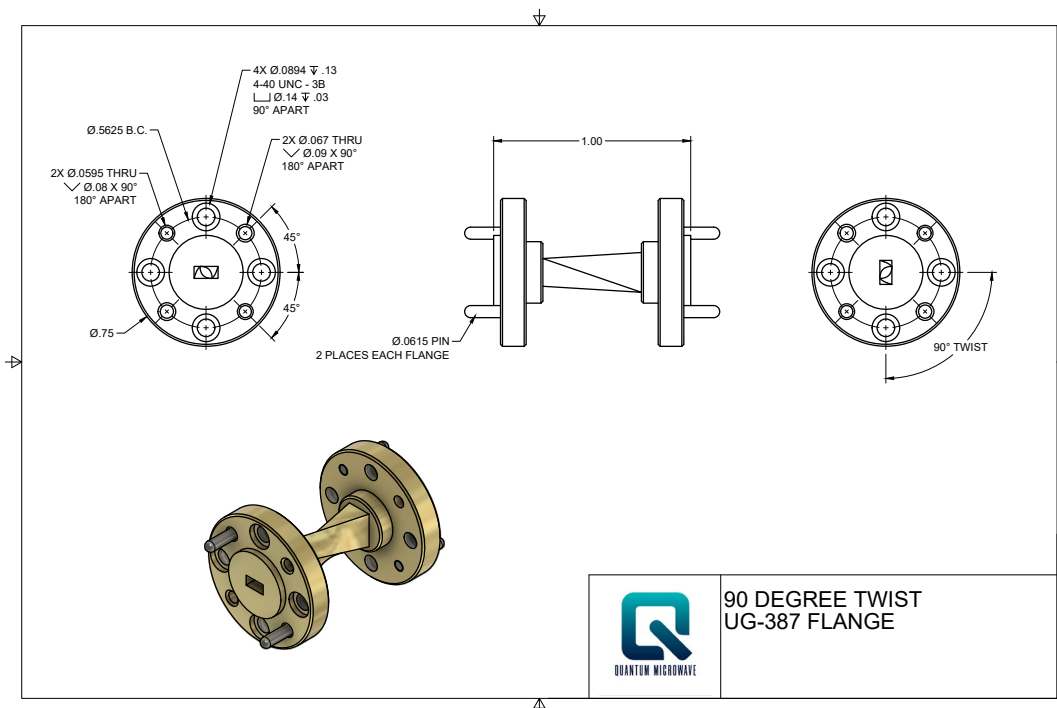


Specifications:

- 90° WaveGuide Twist
- 75 to 110 GHz
- 1 Inch Long
- Gold Plated Copper
- Low Loss
- W-Band
- WR-10
- UG-387/U-M



These waveguides are designed to have low loss and high performance
They are designed for low cost to save our customers money



Comes with quantity 4 pcs of 4-40 captive waveguide screws
Made in the USA