

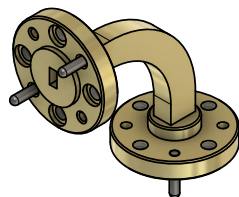
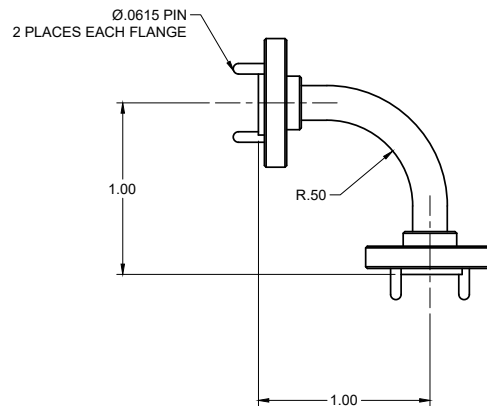
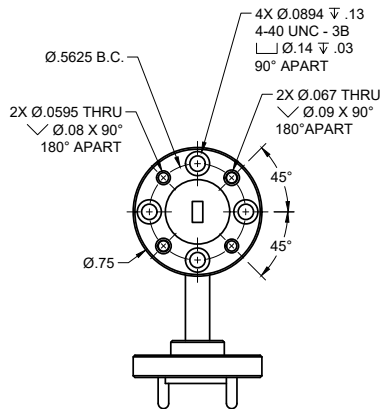


Specifications:

- WR-12 E-Band Waveguide Bend
- Frequency: 60 to 90 GHz
- Length: 1 inch
- H-Plane
- 90 Degree Bend
- WR-12, UG-387/U
- Material: Copper waveguide, Brass Flanges, Gold Plated



These waveguides are designed to have low loss and high performance
They are designed for low cost to save our customers money



1" H-BEND
UG-387 FLANGE

Made in the USA

✉ Sales@QuantumMicrowave.com