

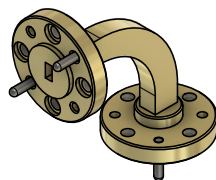
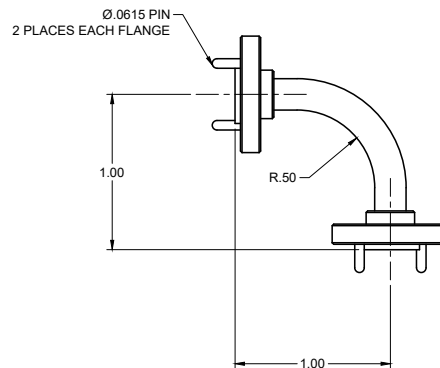
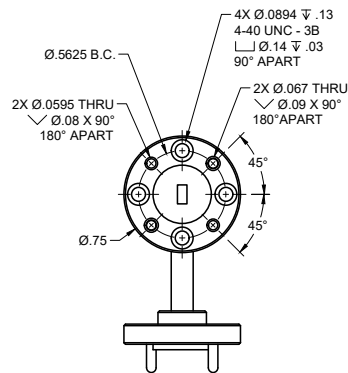


Specifications:

- WR-10 W-Band Waveguide Bend
- Frequency: 75 to 110 GHz
- Length: 1 inch
- H-Plane
- 90 Degree Bend
- WR-10, UG-387/U-M
- Material: Copper waveguide, Brass Flanges, Gold Plated



These waveguides are designed to have low loss and high performance
They are designed for low cost to save our customers money



Made in the USA

✉ Sales@QuantumMicrowave.com