

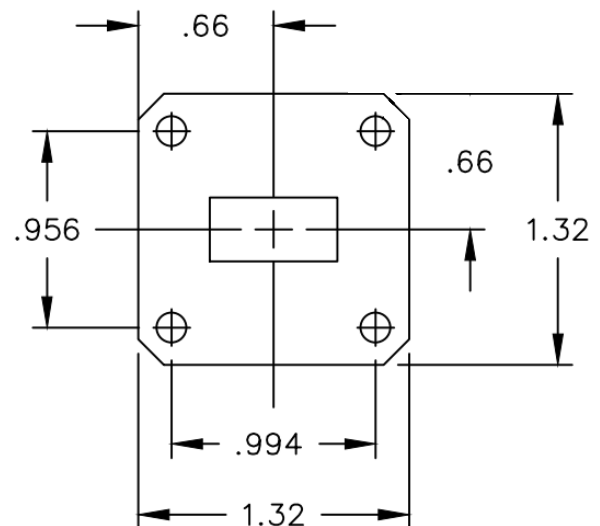
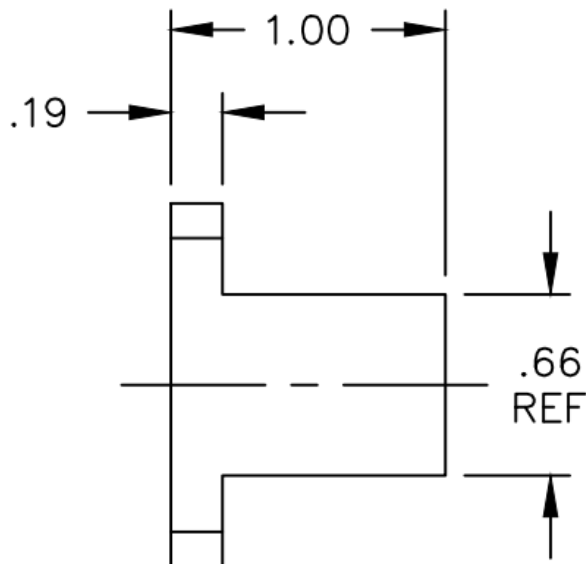


Specifications:

- Waveguide Termination
- Frequency: 12.4 to 18 GHz
- VSWR: 1.20:1 Max
- Power Handling: 1.5W Max
- Waveguide: WR-62, UG-1665/U
- Length: 1 inch
- Finish: Chem Film
- Comes with waveguide screw kit



Our waveguide terminations are high quality, gold plated and are priced affordably.



Made in the USA

✉ Sales@QuantumMicrowave.com