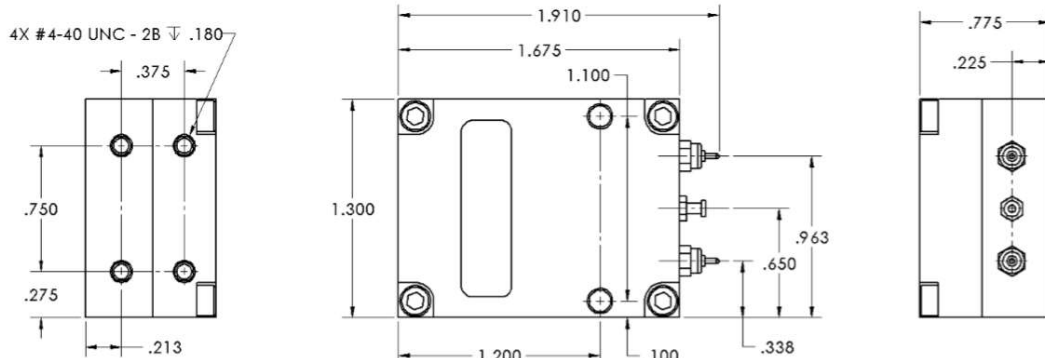
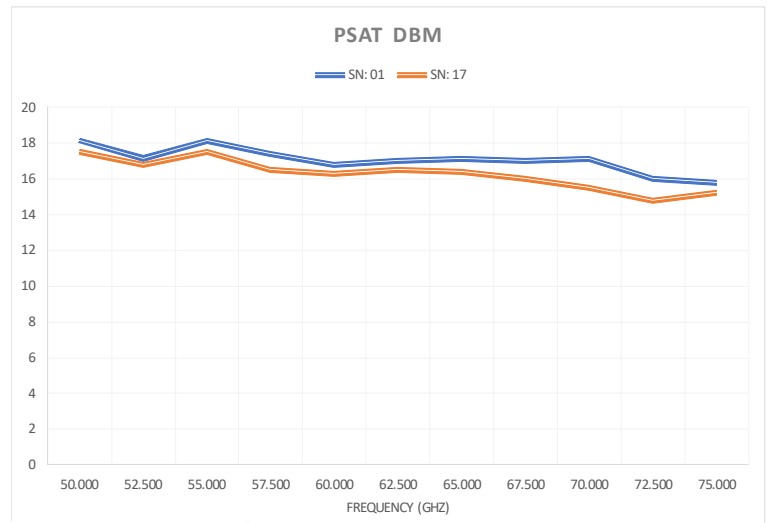
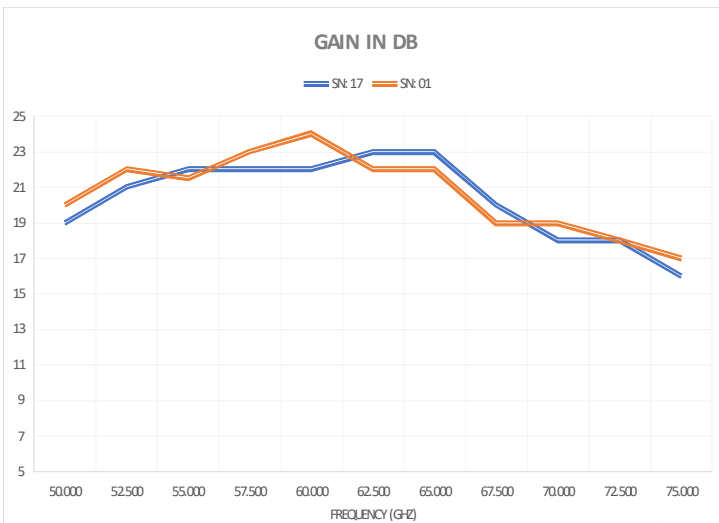
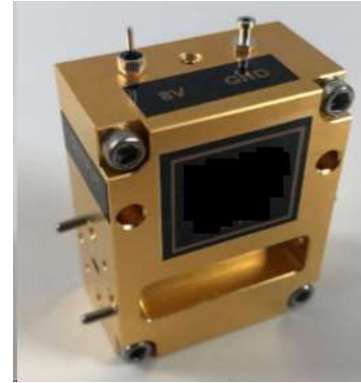


QMC-AMP15-62252012 is a high performance Power Amplifier. This amp operates using a single positive voltage from 7-12VDC

Technical Specifications
Frequency: 50 to 75 GHz
Gain: 20 dB typical
PSAT: +12 dBm typical
DC: +8V @ 300 mA typical
Waveguide: WR-15, UG-385/U



WR-10, WR-12, or WR-15 Waveguide
 With standard Flange Pattern

