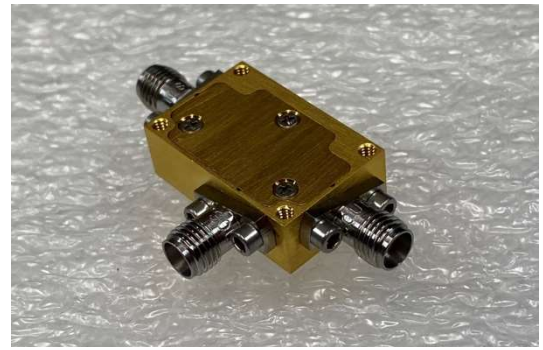


5.25 - 18 GHz Image Reject Mixer

P/N: QMC-IRM-0518BL

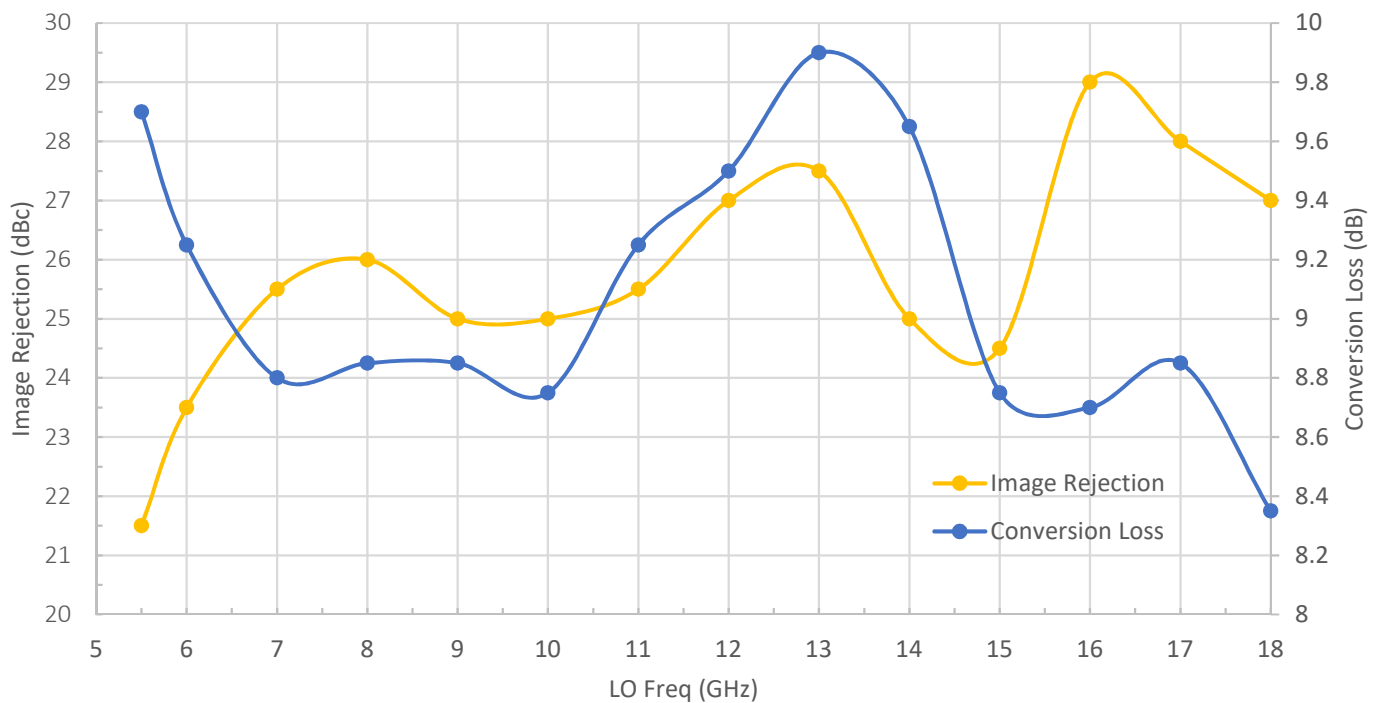
Features

- 5.25 to 18 GHz RF/LO Down Converter
- Low Conversion Loss, 11 dB max
- LO Power: +8 dBm min
- SMA Female Connectors
- Gold Plated OFHC Housing
- IF: 130 to 210 MHz
- Reject Upper Side Band by 20 dB min

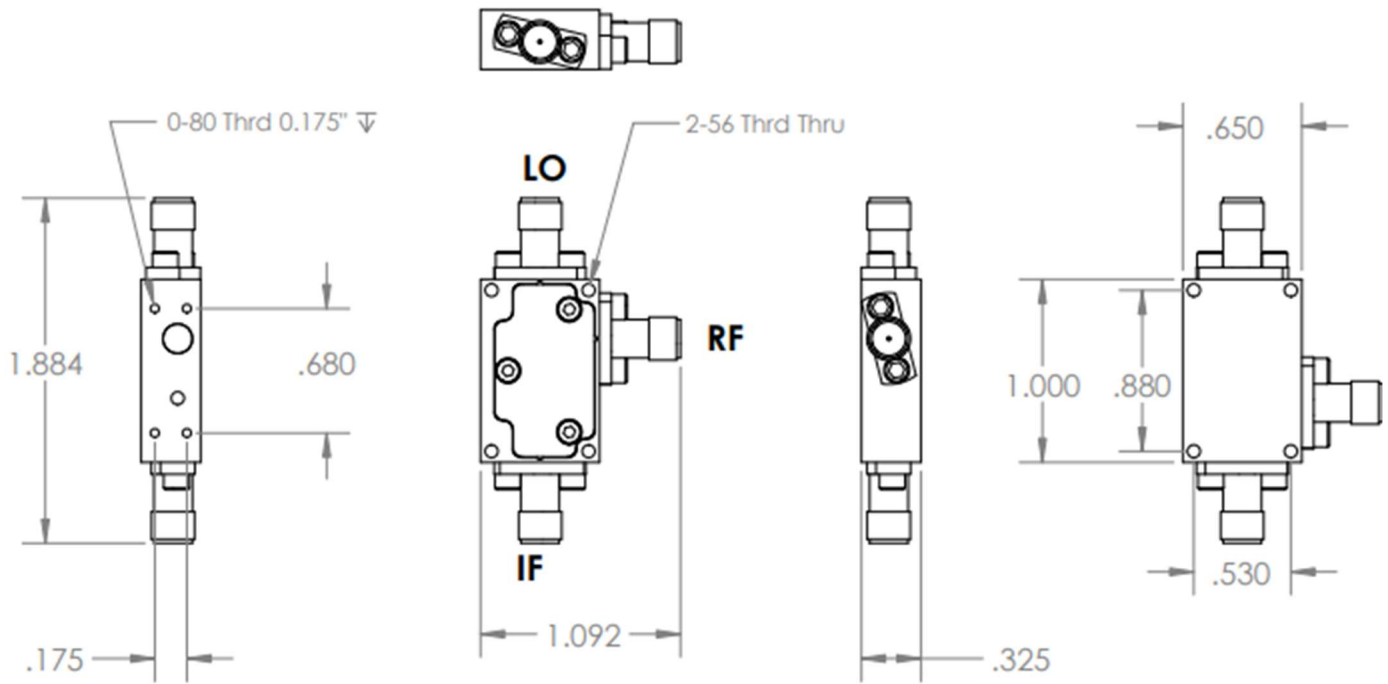


Parameter	Specification	Notes
Frequency Range	5.25 GHz to 18 GHz	
Conversion Loss	11 dB max	See plot (Blue)
IF	130 to 210 MHz	
LO Power	+8 dBm min +9 dBm typical +13 dBm max	
Upper Side Band Image Reject	20 dB min	See plot (Yellow) RF > LO
LO to RF & RF/LO to IF isolation	-40 dBc min	

Measured Data (typical)



Outline Drawing



For lower side band rejection see part number: QMC-IRM-0518BU

Designed to work inside or outside of a Cryostat