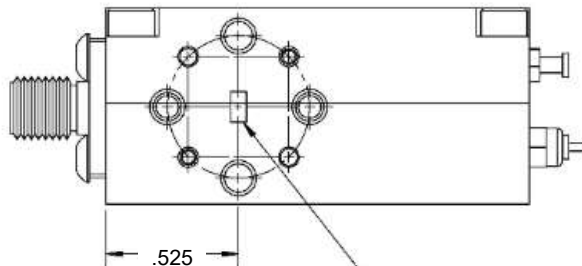
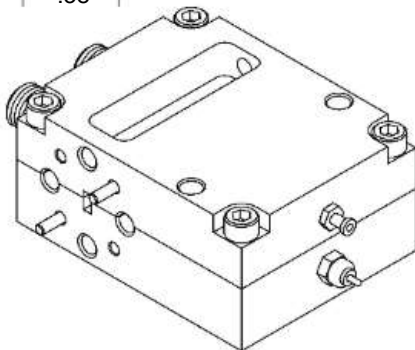
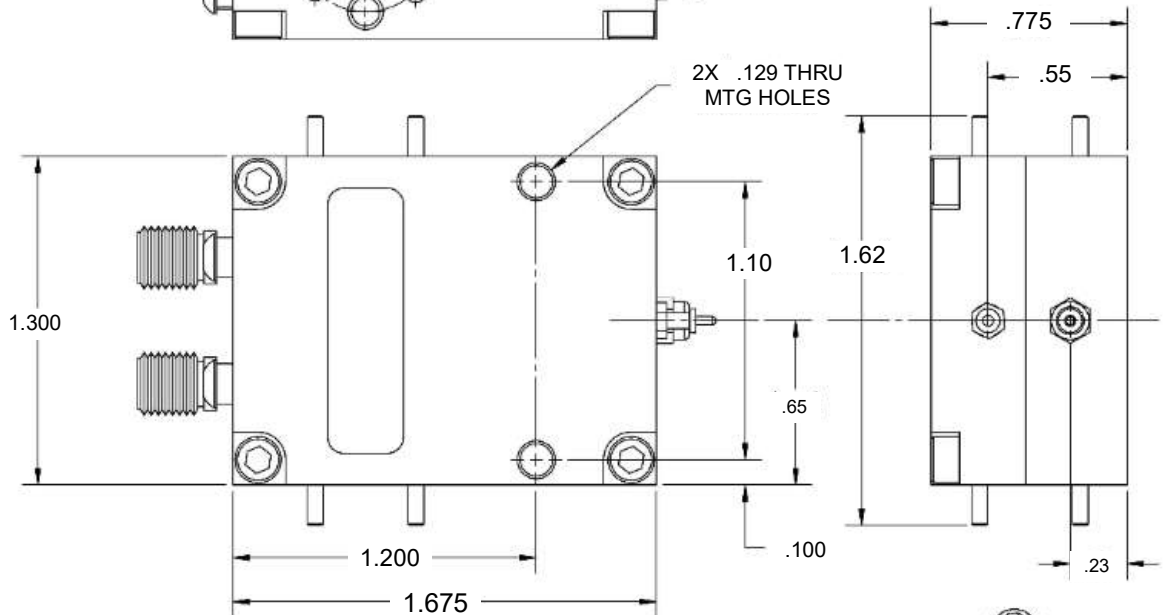
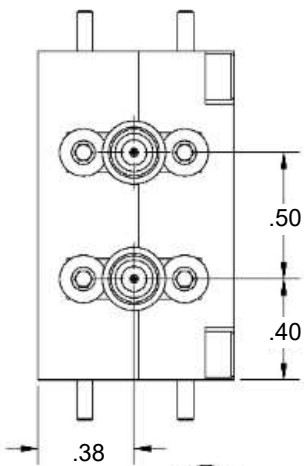
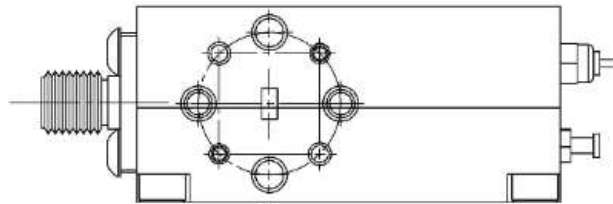


QMC-MIQ12-7186 E-Band I & Q Mixer.  
This mixer offers excellent conversion of 10 dB  
and a wide bandwidth of DC to 12 GHz

RF Frequency: 71 to 86 GHz  
LO Frequency: 71 to 86 GHz  
IF Frequency: 0.1 to 12 GHz  
                  : +4 dBm max in  
Conversion Loss: 10 dB typical  
LO Input Power: +5 dBm  
                  : +12 dBm max  
DC: 0.75V, range (-5 to 0.7V)  
Waveguide: WR-12, UG-387/U



Available in  
WR-10, WR-12, WR-15



2X STD WG  
FLANGE PATTERN

