



Option description

LNF-PS_NANO is a +5 V regulated single voltage powersupply option for Low Noise Factory room temperature LNAs equipped with Nano-D bias connector. With this option, the standard Nano-D connector is replaced with an integrated compact constant voltage powersupply circuit with solder pins. The required supply voltage (V_s , nominally 5 V) is 2.7 V to 6 V. Powered in this range, the integrated regulator circuit supplies the internal LNA with a factory set constant bias for optimal noise performance. No external powersupply is needed.

Features

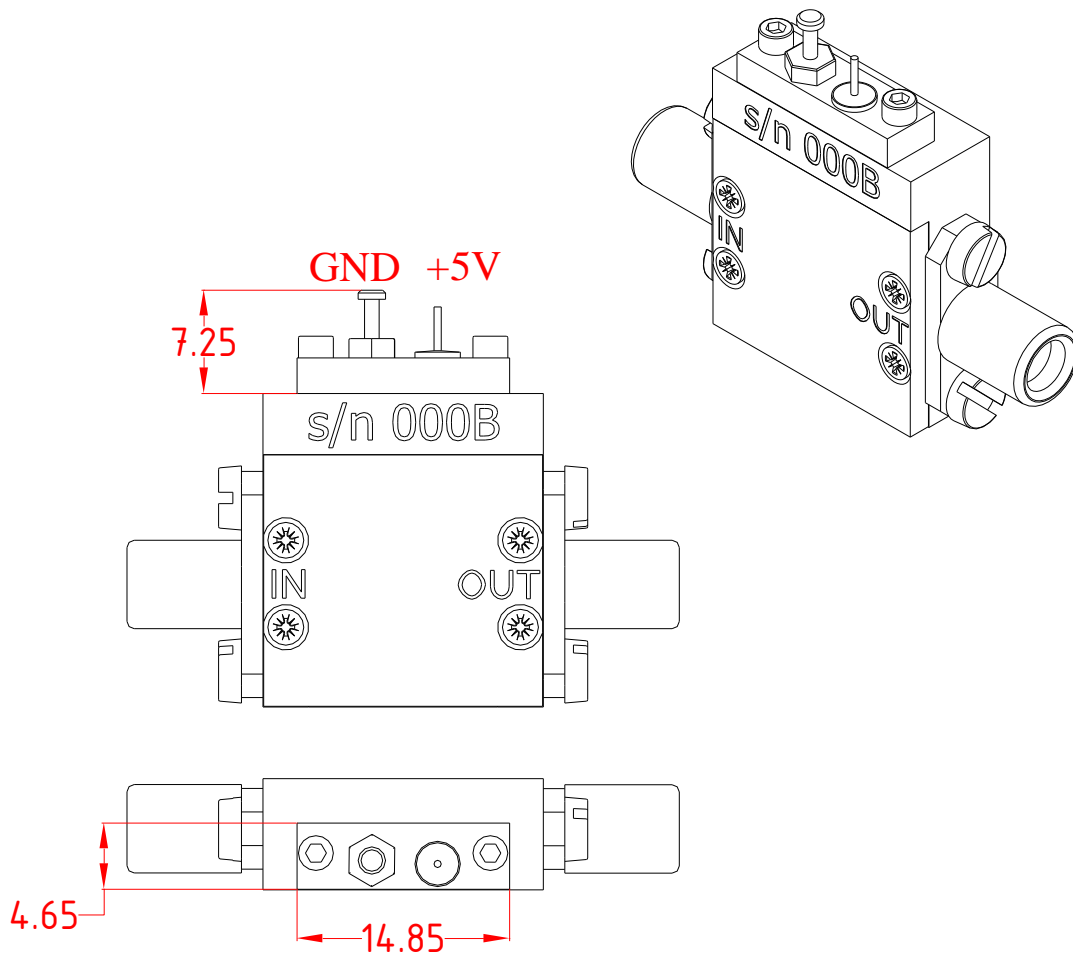
- +5 V single voltage
- No external powersupply
- Solder pins

Specifications

Parameter	Min	Max
V_s	2.7 V	6 V
I_s		100 mA
Operating temperature	-100 °C	85 °C

Variations between different LNA models might occur.

Drawings



Dimensions are in millimeters